



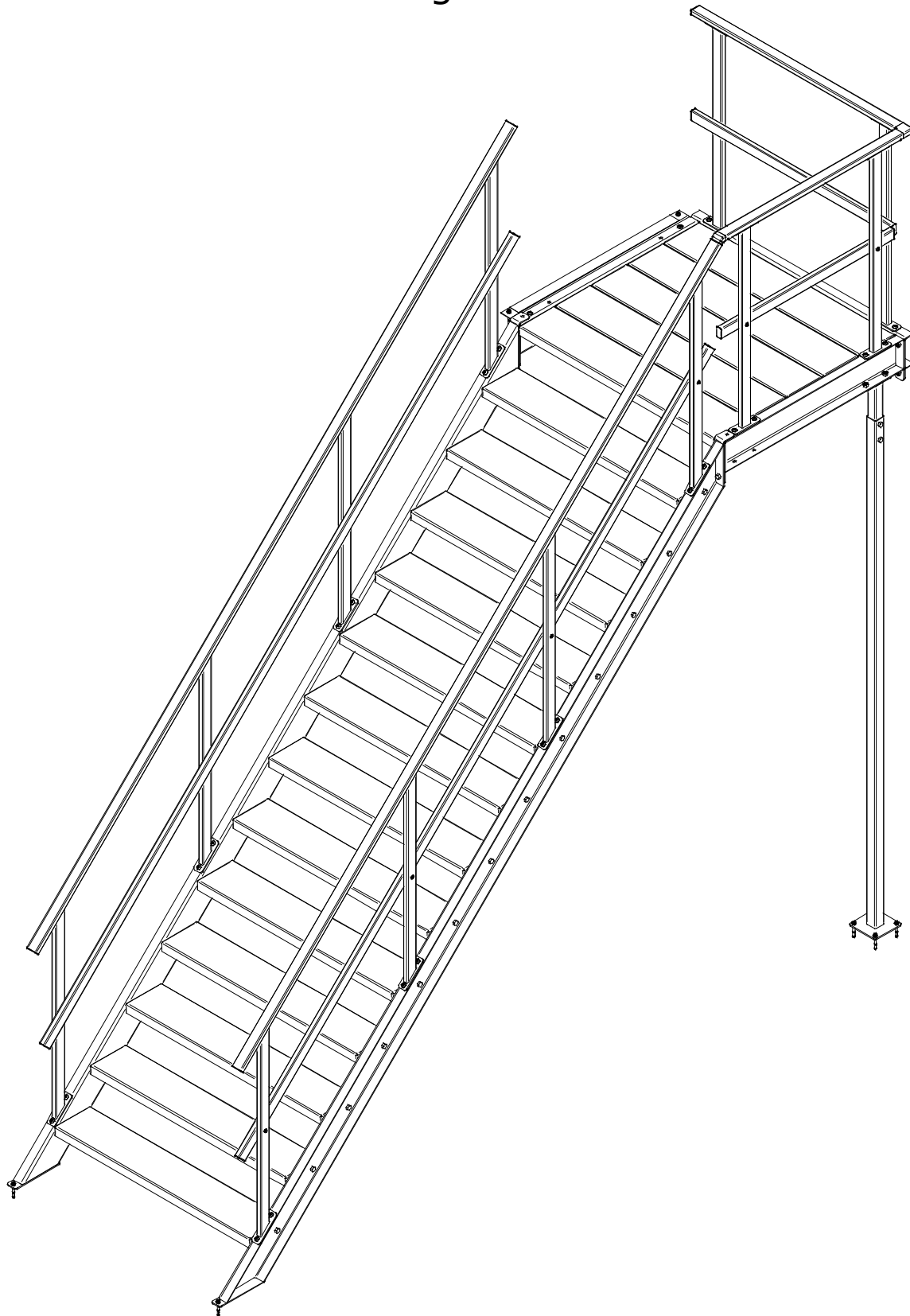
assembly instruction

Stairs 2.8, 3 and 3.2 meter
steps with left, straight or right exit



ASSEMBLY INSTRUCTION

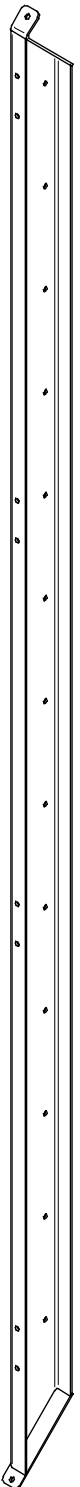
Stairs 2.8, 3 and 3.2 Meter + Steps with left, straight or right exit



Left string (stairs)

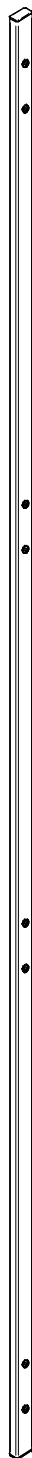


Right string (stairs)



Heights
2,8 m
3 m
3,2 m
... m

Handrail (stairs)



Lengths
3800 mm (2,8m)
4080 mm (3m)
4375 mm (3,2m)
..... mm

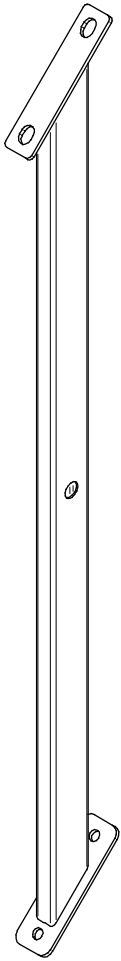
Kneerail (stairs)



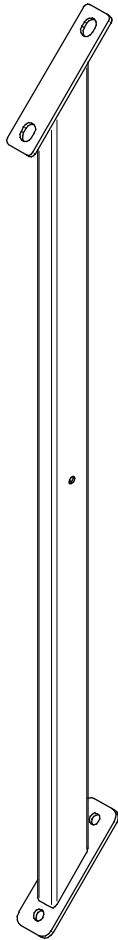
Lengths
3728 mm (2,8m)
4008 mm (3m)
4303 mm (3,2m)
..... mm

Stairs + Steps

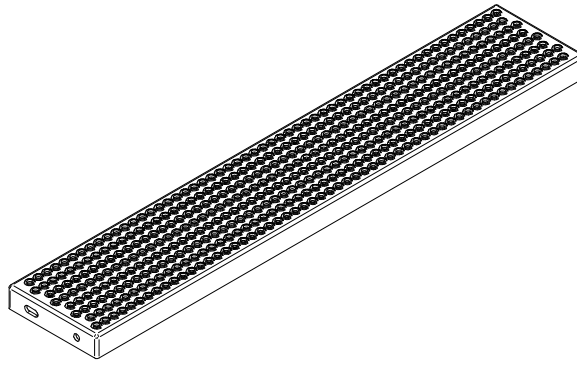
Left railcolumn



Right railcolumn

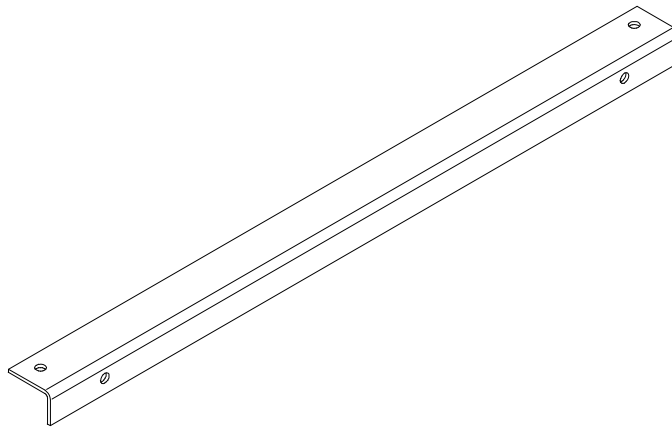


Tread



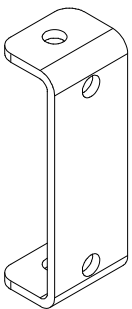
width
800 mm
1000 mm
1100 mm
1200 mm
..... mm

Angle bar



width
900 mm
1000 mm
1100 mm
1200 mm
1300 mm
..... mm

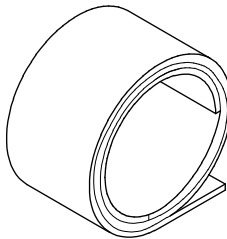
Couplingplate



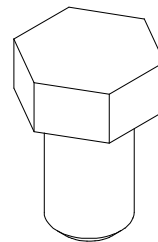
Expansionshellbolt



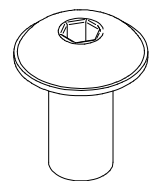
3M non-slip strip



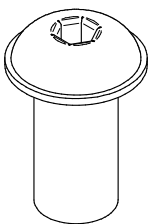
Hexagonal bolt M10x30



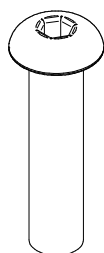
Round head flange bolt M10x25



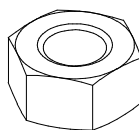
Round head flange bolt M8x20



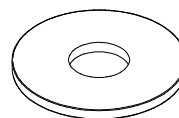
Round head bolt M8 x 35



M10 nut



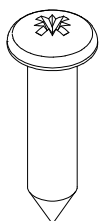
Washer



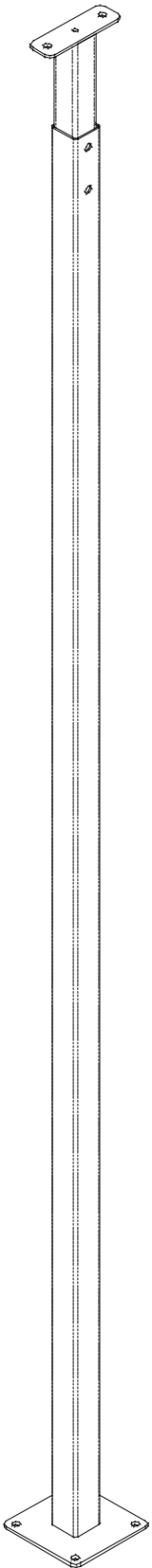
Cap



Screw



**Pillar +
M10 x 60
M10 nut**



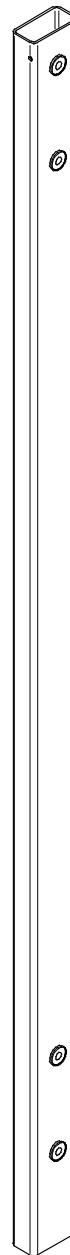
Heights
2,8 m
3 m
3,2 m
... m

**Handrail
(steps)
side**



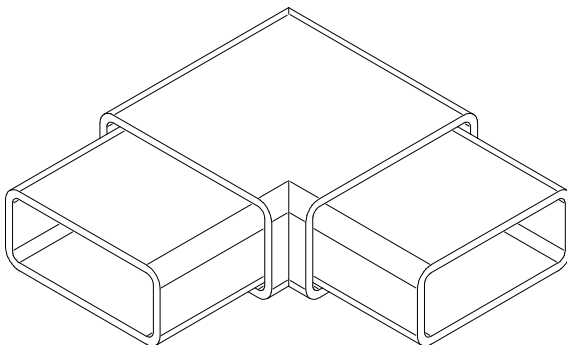
Length
1200 mm (1,2m)
1000 mm (1m)
800 mm (0,8m)
..... mm

**Handrail
(steps)
head**

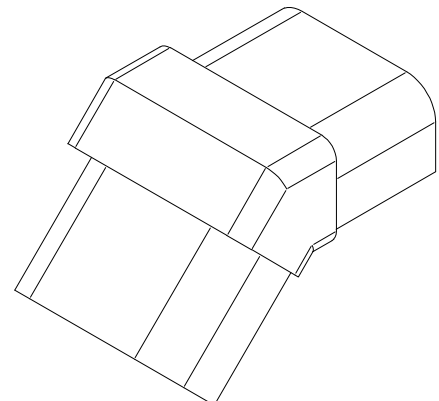


Lengths
843 (0.9m)
1043 mm (1,1m)
1143 mm (1,2m)
1243 mm (1,3m)
..... mm

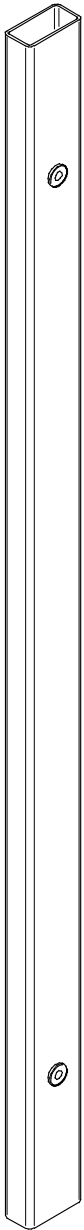
Coupling member 90gr



Coupling member 135gr



**Kneerail
(steps)
side**



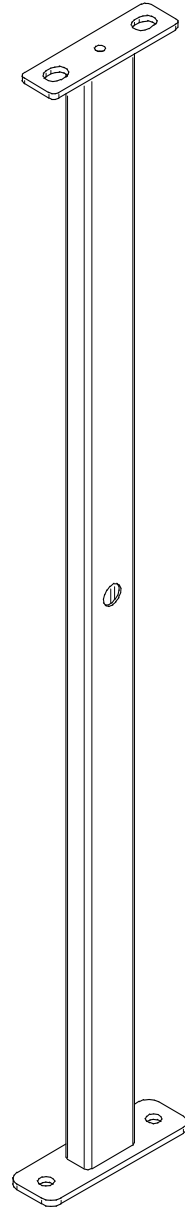
Lengths
1200 mm (1,2m)
1000 mm (1m)
800 mm (0,8m)
..... mm

**Kneerail
(steps)
head**

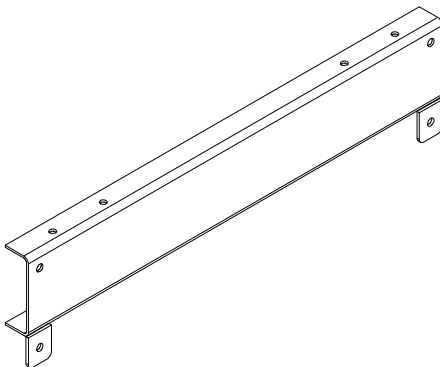


Lengths
843 (0,9m)
1043 mm (1,1m)
1143 mm (1,2m)
1243 mm (1,3m)
..... mm

**Railcolumn
(steps)**

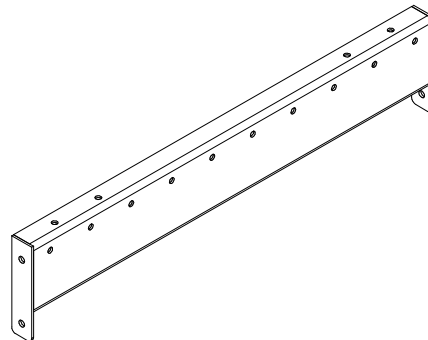


Head string (steps)



width
800 mm
1000 mm
1100 mm
1200 mm
..... mm

Side string (steps)

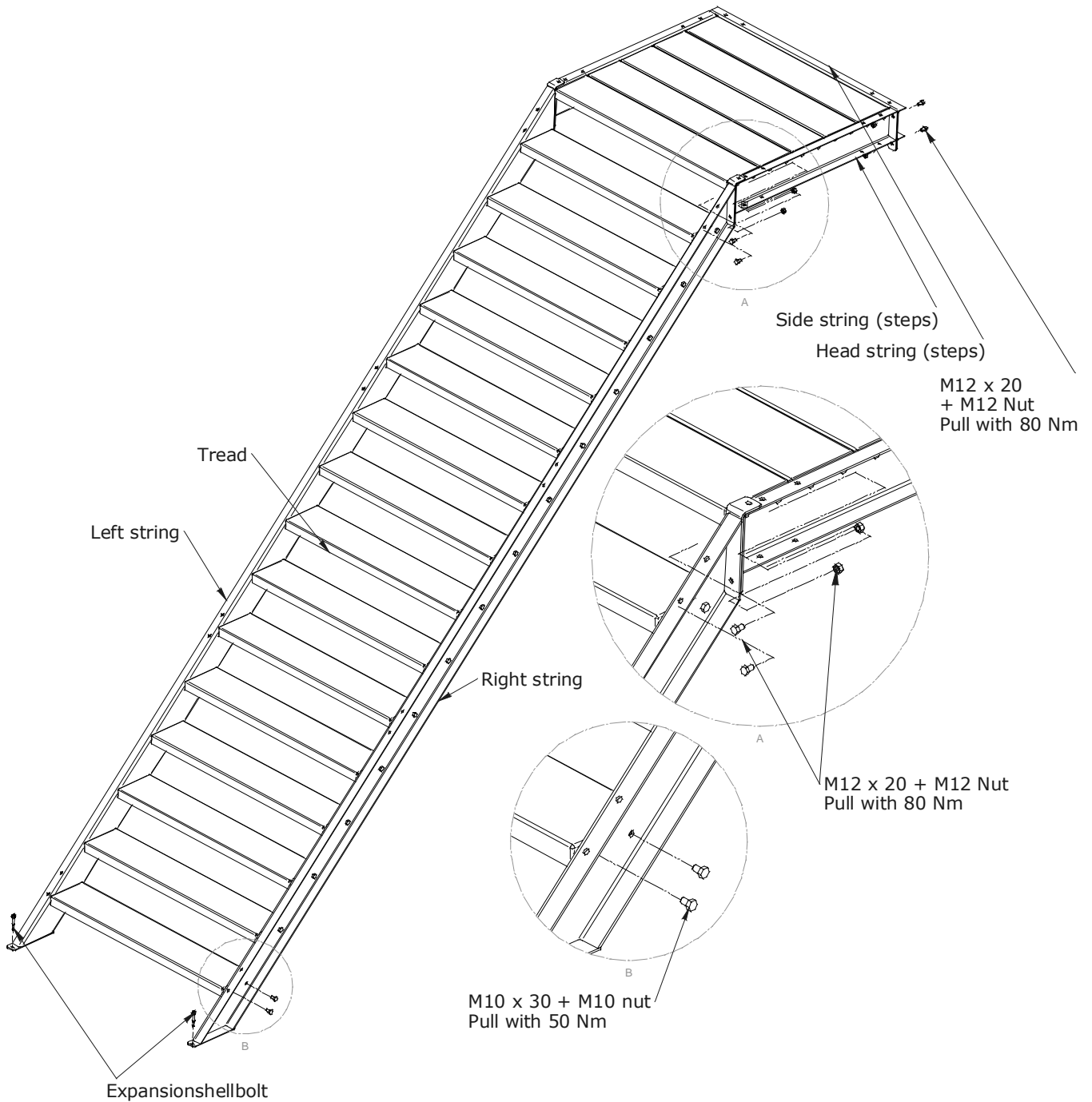


Length
1200 mm
1000 mm
800 mm
..... mm

Stairs + Steps

Quality at all screws
are minimal 8.8

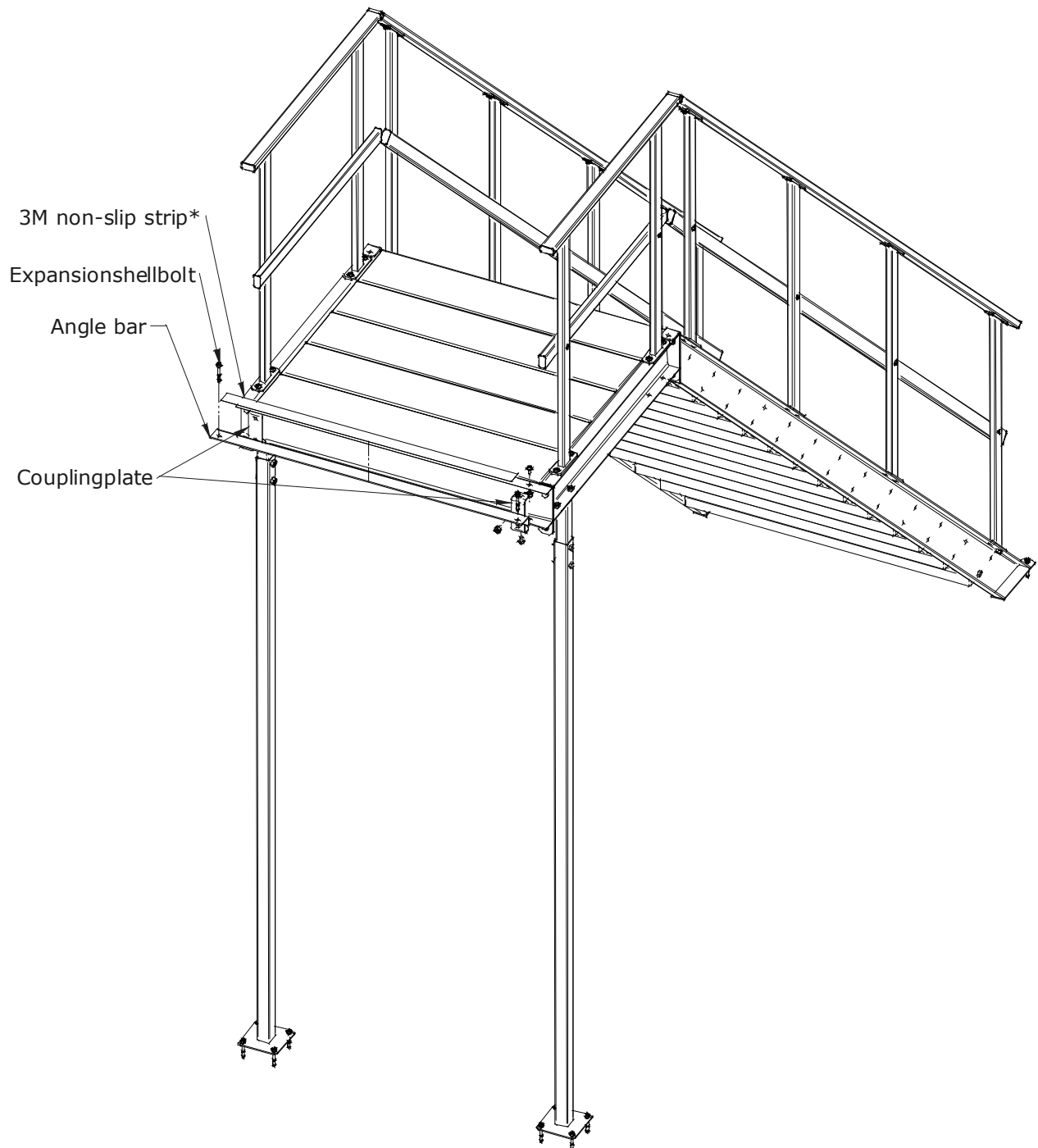
Quality at all nuts
are minimal 8



When mounting on wooden
floors use the fitted
woodscrews instead of
expansionshellbolts

Angle bar

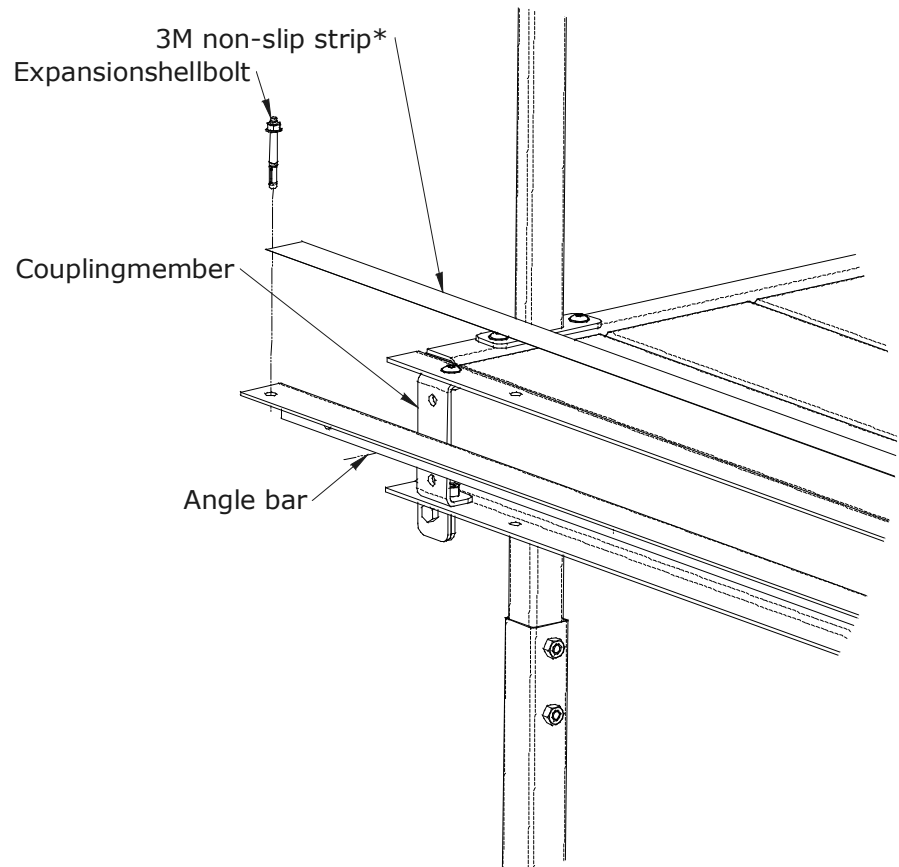
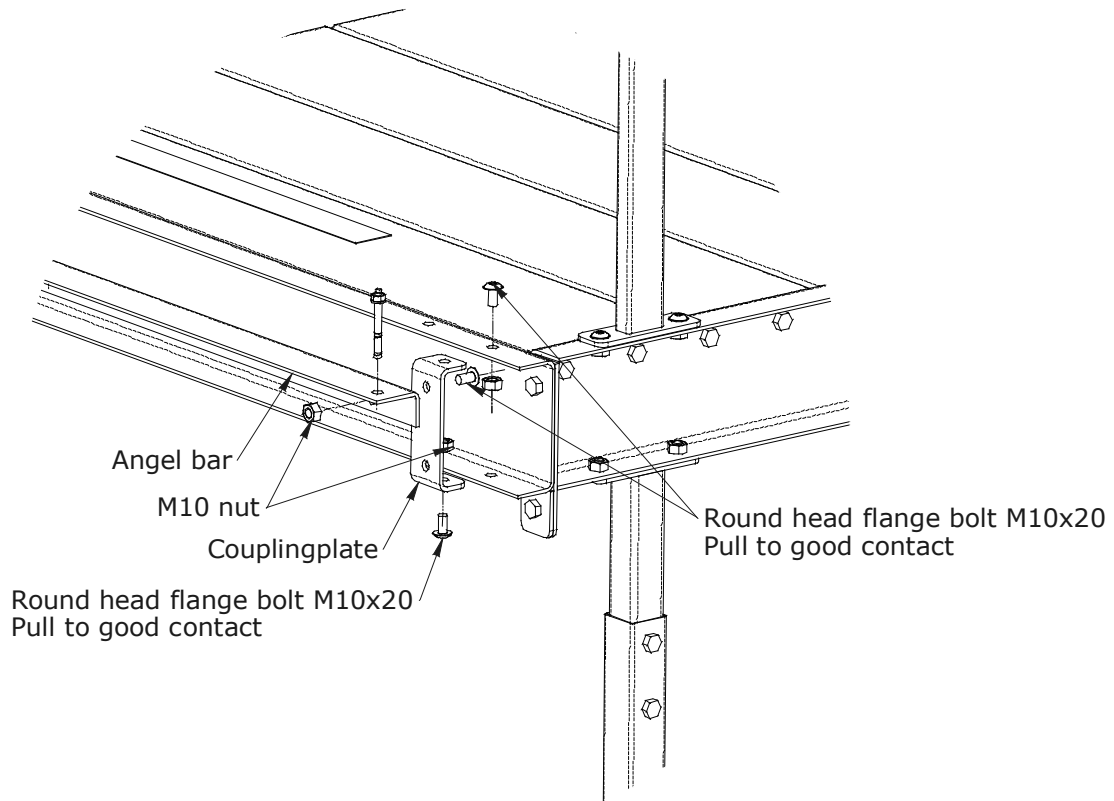
!In this case the steps has a straight exit, if the steps has a right or left exit the angle bar have to be mounted in that direction!



*Tape the 3M non-slip strip after the whole stairs is assembled

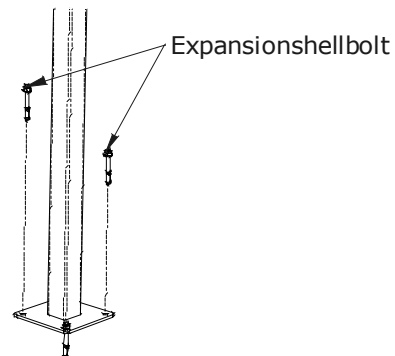
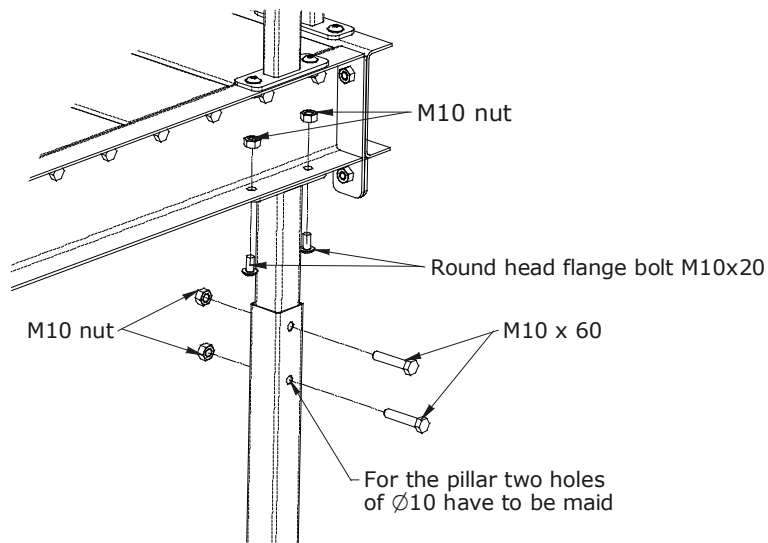
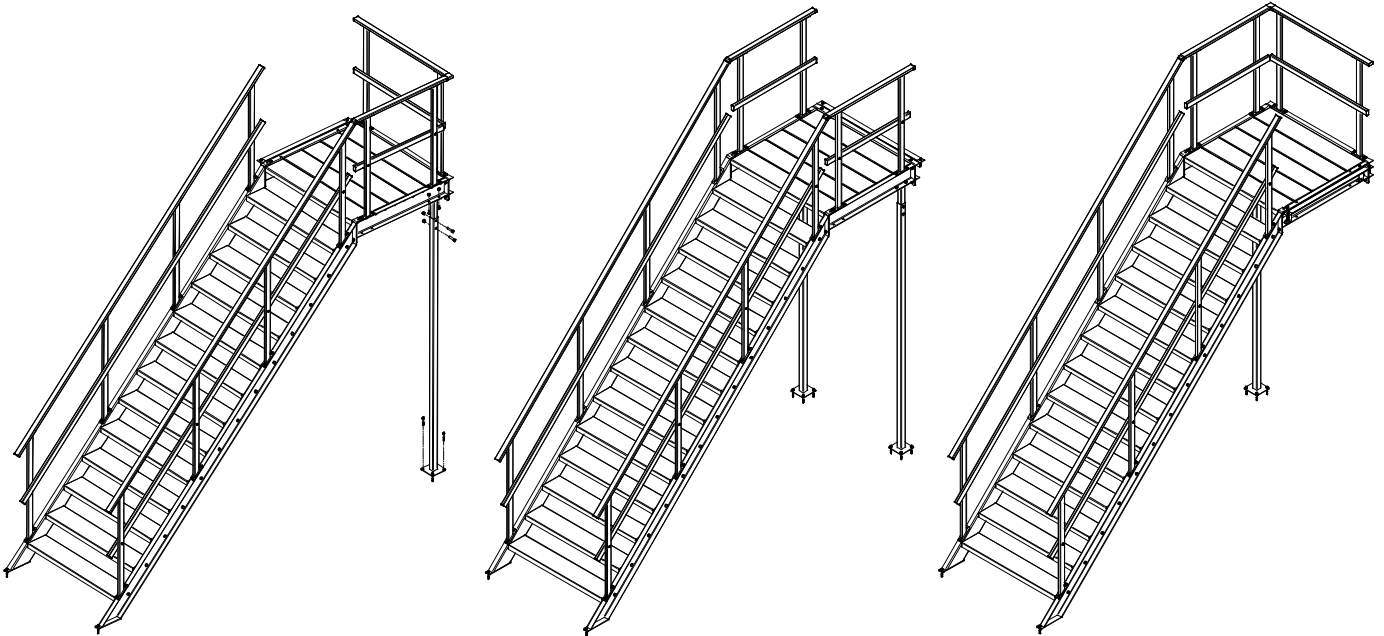
For details see
page 8

Detail angle bar



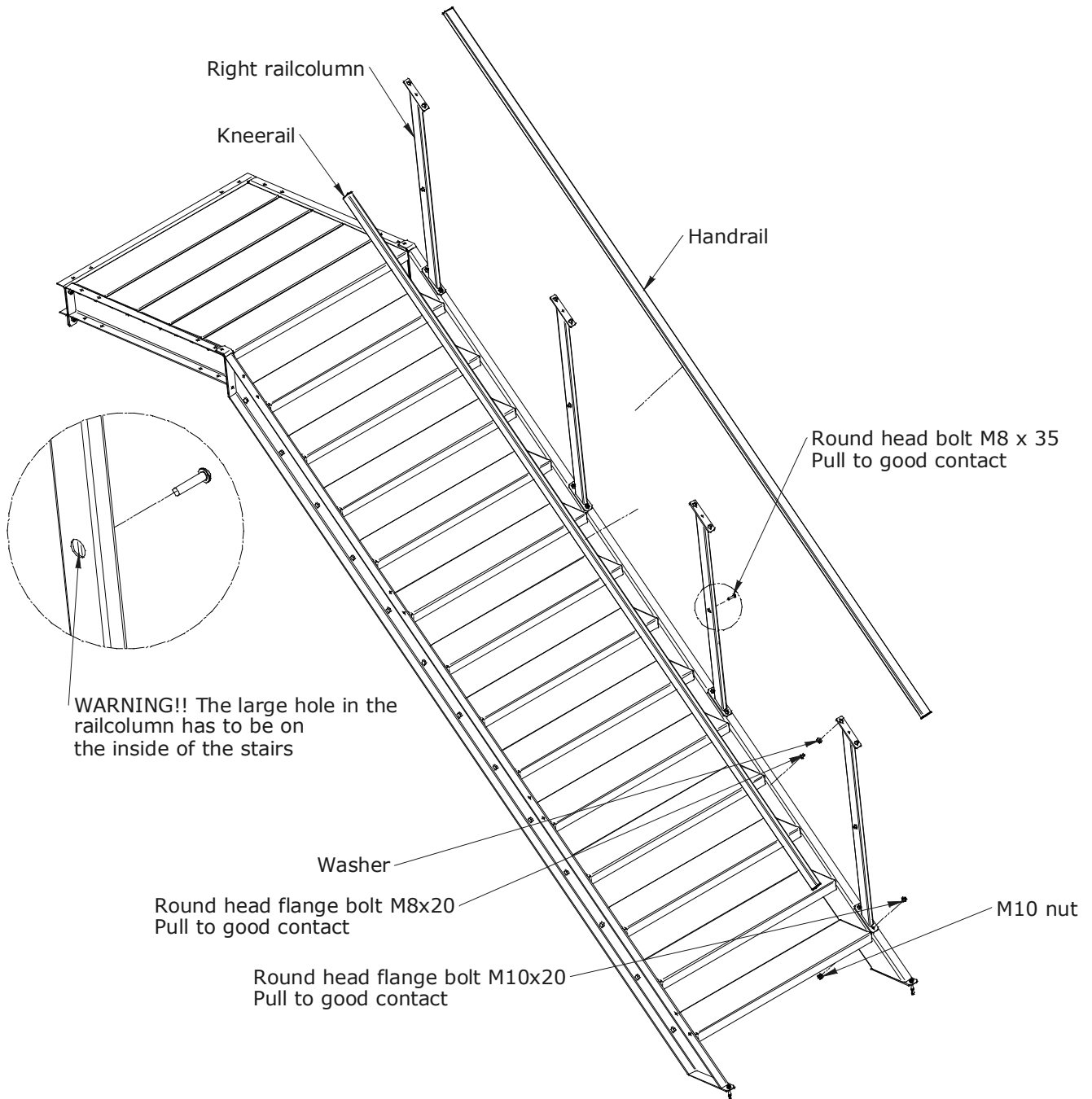
Pillar

The number of pillars depends on the direction of the exit, extra pillars are possible



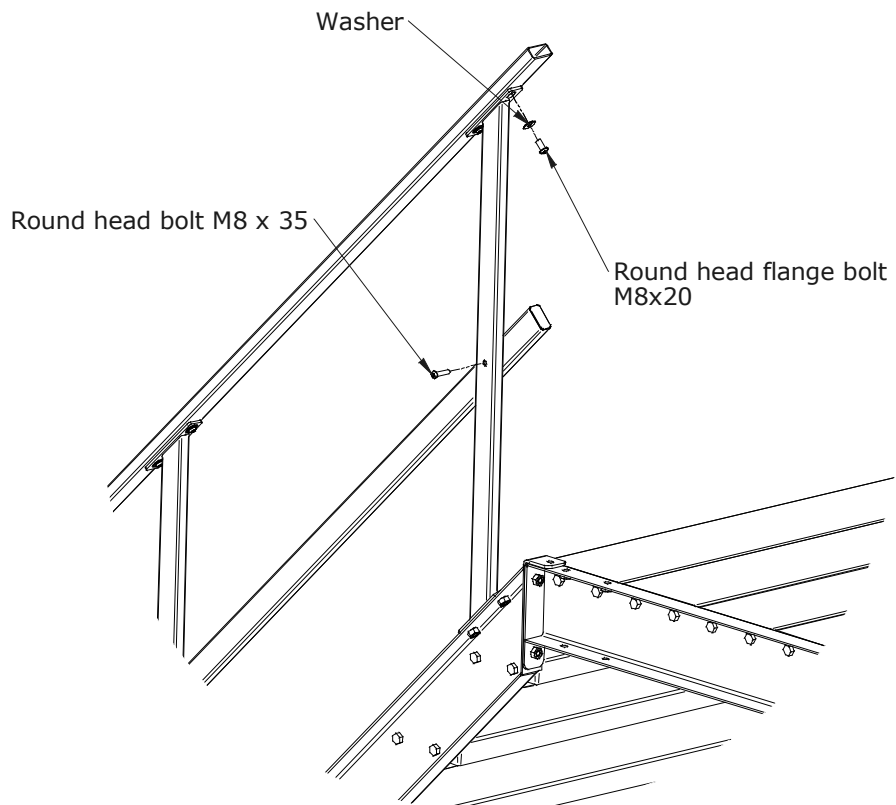
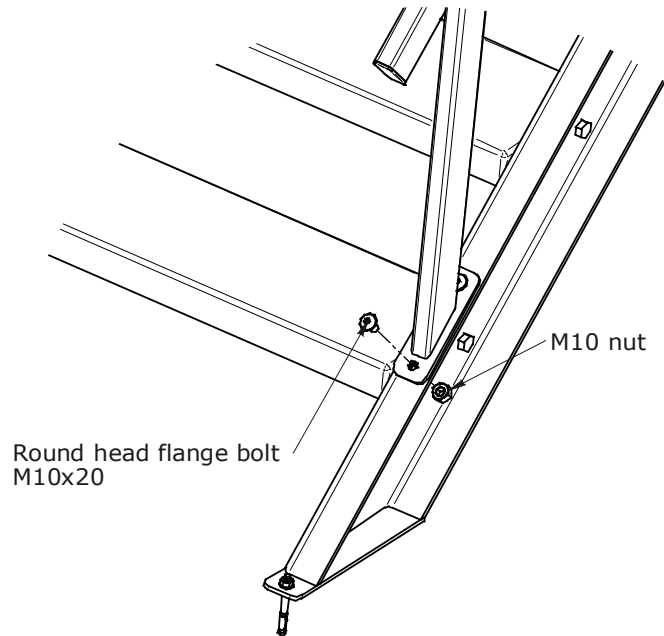
All pillars can be assembled in the same way as above

Hand- and kneerail stairs

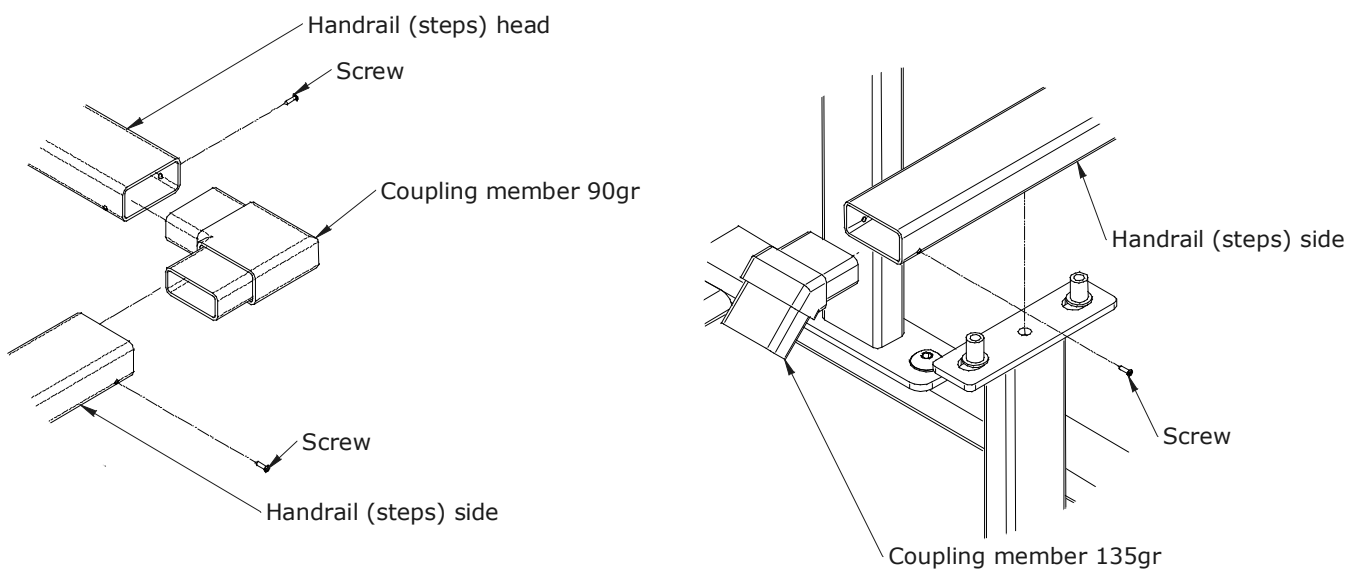
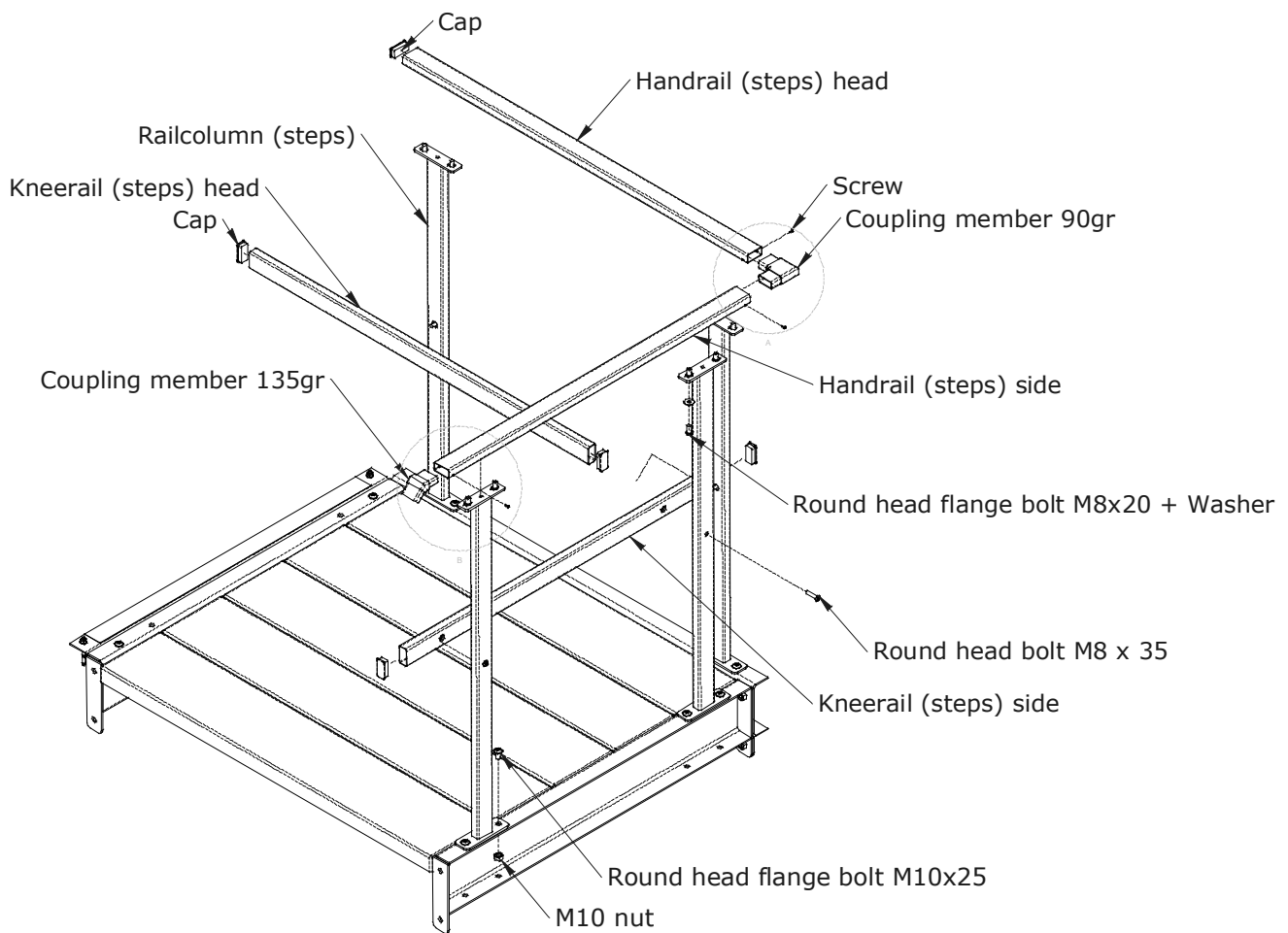


For details see
page 11

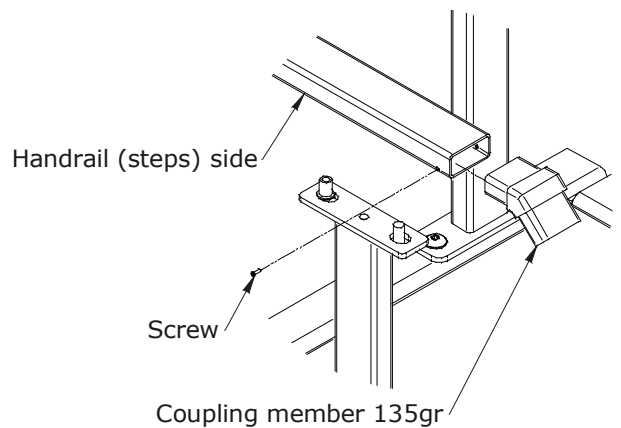
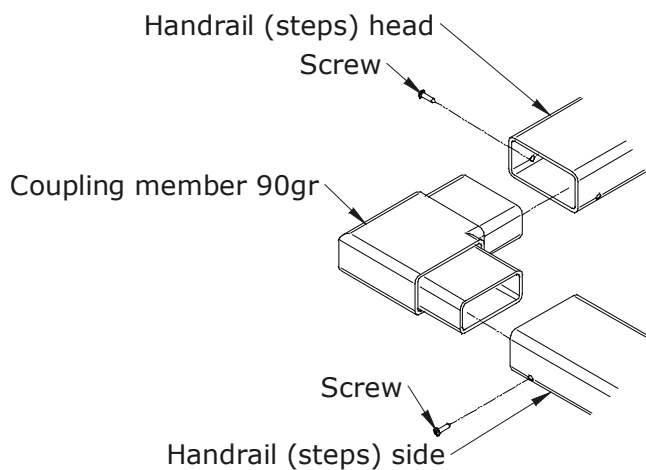
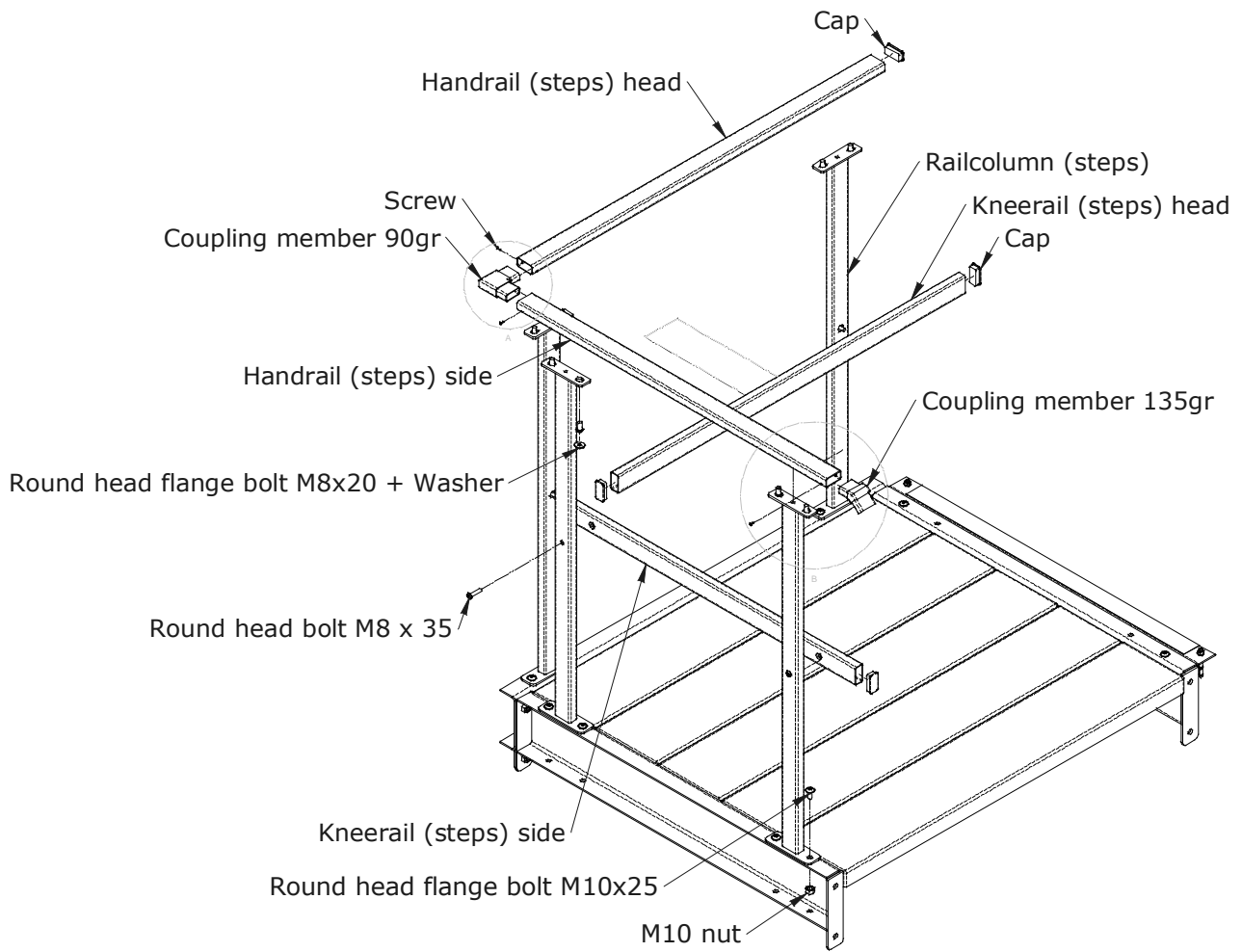
Detail railcolumn stairs



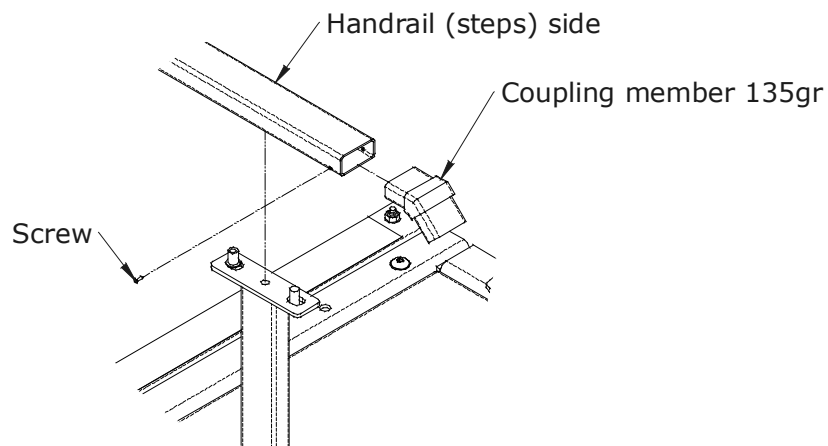
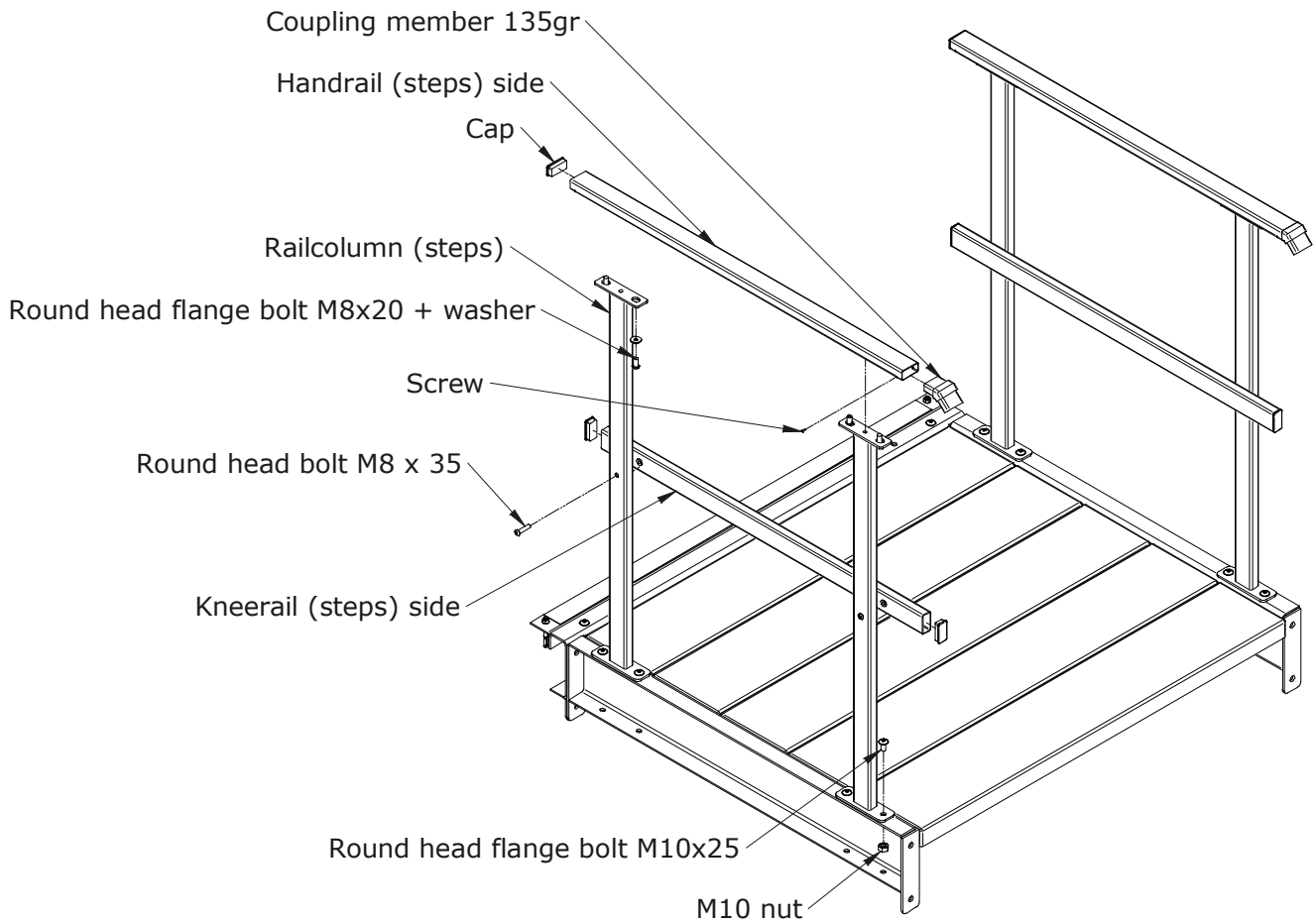
Hand- and kneerail steps left exit



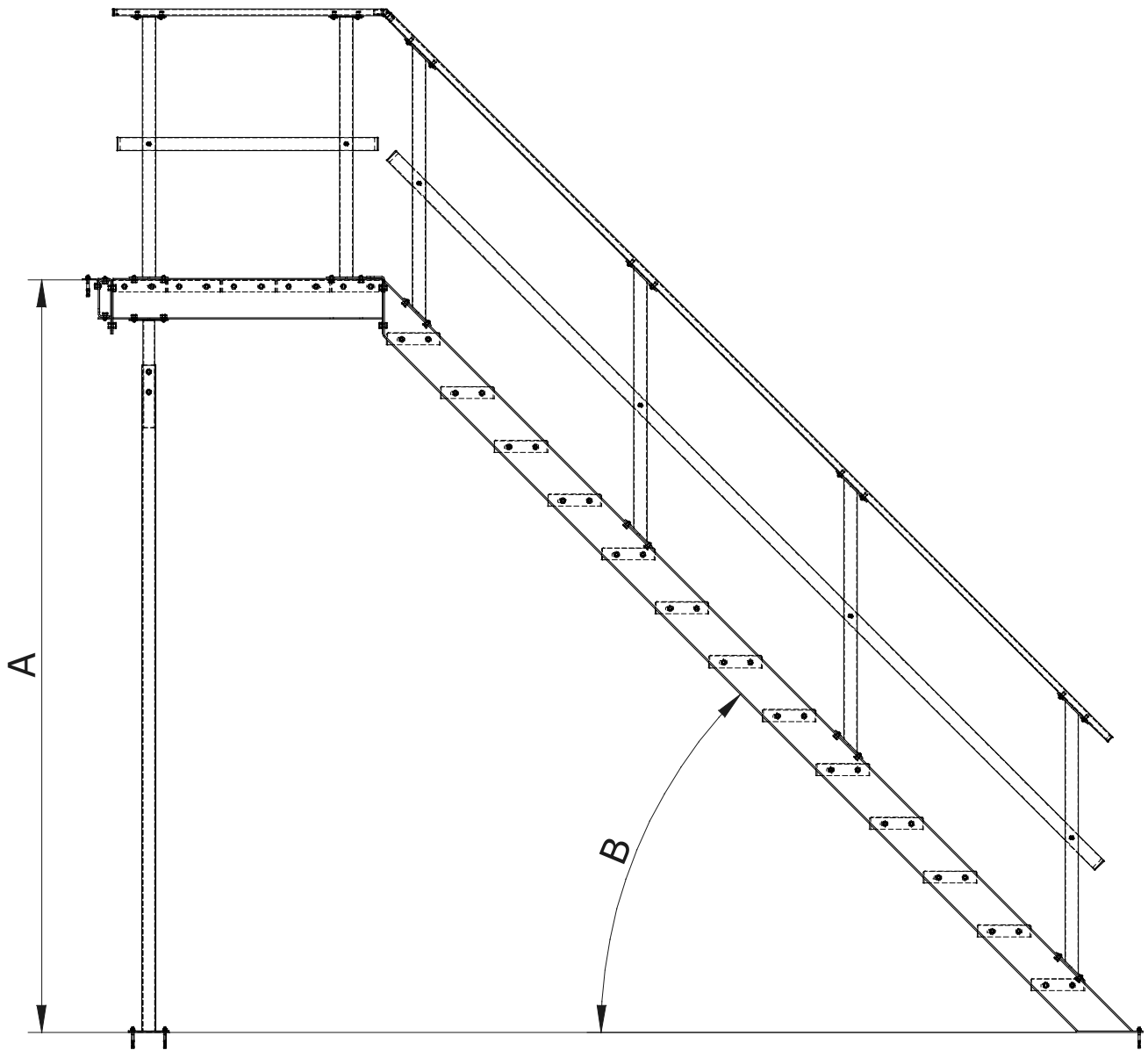
Hand- and kneerail steps right exit



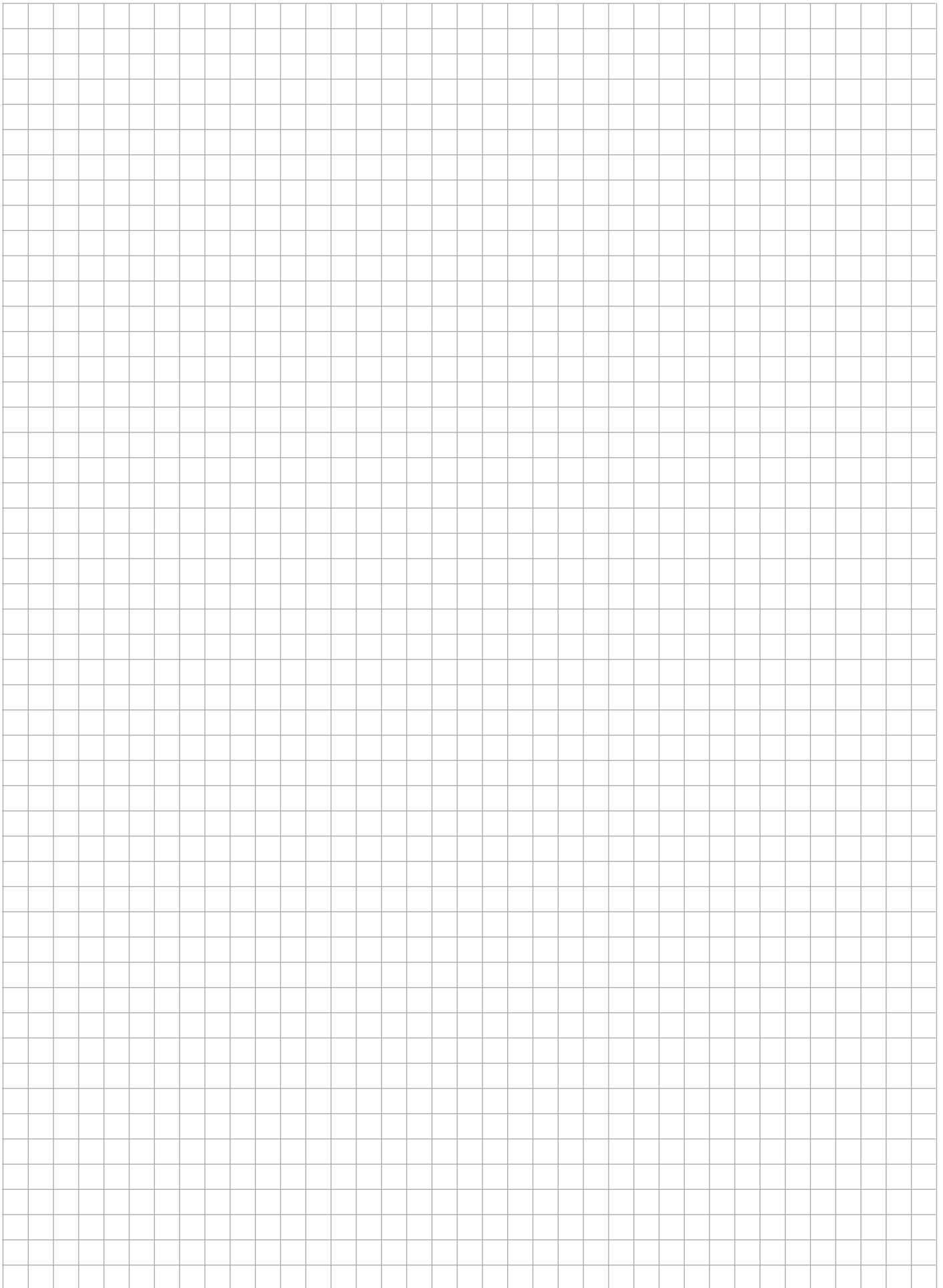
Hand- and kneerail steps straight exit



Overall dimensions



A	B
2,8 m	45°
3 m	
3,2 m	
.... m	





Ijsselstraat 9-13 \ 5347 KG Oss \ The Netherlands \ T +31 (0)412 667650 \ E info@begra.nl \ www.begra.nl
[Iban](#) NL80 RABO 0146 3423 21 \ [KvK](#) Oost Brabant 17207142 \ [BTW](#) 8180.3852.4B01