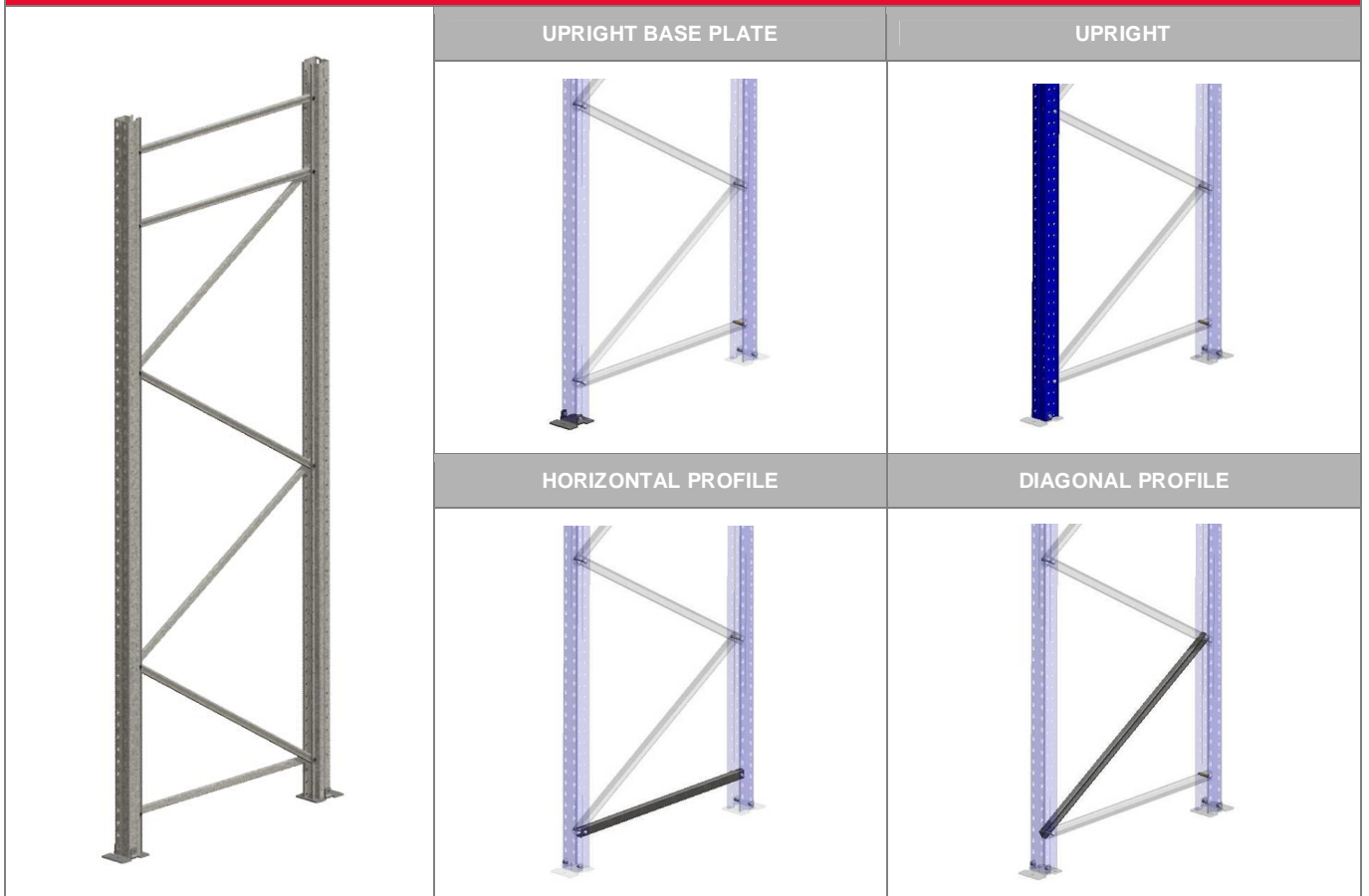




montage handleiding

Frames AR T2 palletstellingen - XL

FRAME XL



DESCRIPTION	A vertical structure consisting of 2 uprights, joined by a system of bracing profiles, and base plates intended to support the storage levels.		
DIMENSIONS AND COMPONENTS	An XL frame consists of two XL uprights and their corresponding bracing profiles, upright base plates and fixing elements (bolts, nuts and bushings).		
DESIGNATION	FRAME [UPRIGHT MODEL]/[DEPTH]/[HEIGHT]/[FINISH]		
MATERIAL	UPRIGHT MODEL	XL1, XL2	
	TYPE OF BASEPLATE 2 alternatives:	S	Base plate BS01/100/AZAR. See product datasheet FT-001025. · AZAR finish for pregalvanised uprights · Same finish as for XL upright in other cases
		0	No upright base plate
	DEPTH	Bt: Distance between Upright Face Widths Diagonal bracing (D600) is made using C4025 profiles with M1020 perforation. See datasheet FT-004087	
	HEIGHT	L: Length of Upright XL	
	FINISH	Based on finish of Upright XL	

GENERAL DIMENSIONS OF UPRIGHT XL		
FRAME DIMENSIONS BASED ON THE UPRIGHT BASE PLATE USED		
No base plate: 0	Base plate BS01/100/AZAR: S	

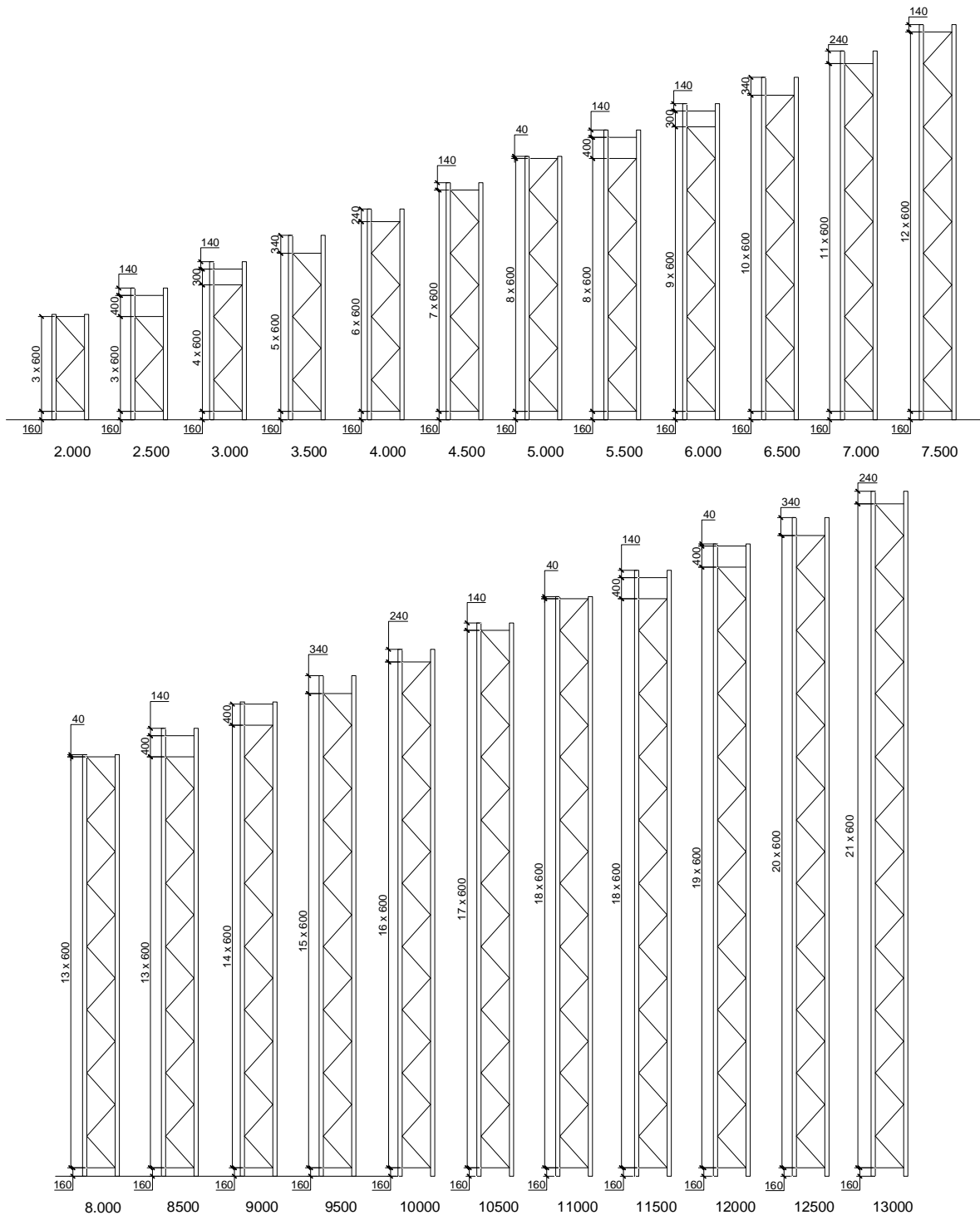
Bracing consists of C40x25 horizontal and diagonal profiles whose length, based on the depth of the XL frame, is shown in the following table:

FRAME DEPTH B_t (mm)	LENGTH OF HORIZONTAL L_h (mm)	LENGTH OF DIAGONAL L_d (mm)		
600	470	778		
700	570	841		
800	670	910		
900	770	985		
1000	870	1064		
1100	970	1147		
1200	1070	1232		
1300	1170	1319		

To calculate the length of horizontal and diagonal profiles of frames, the following equation can be used:

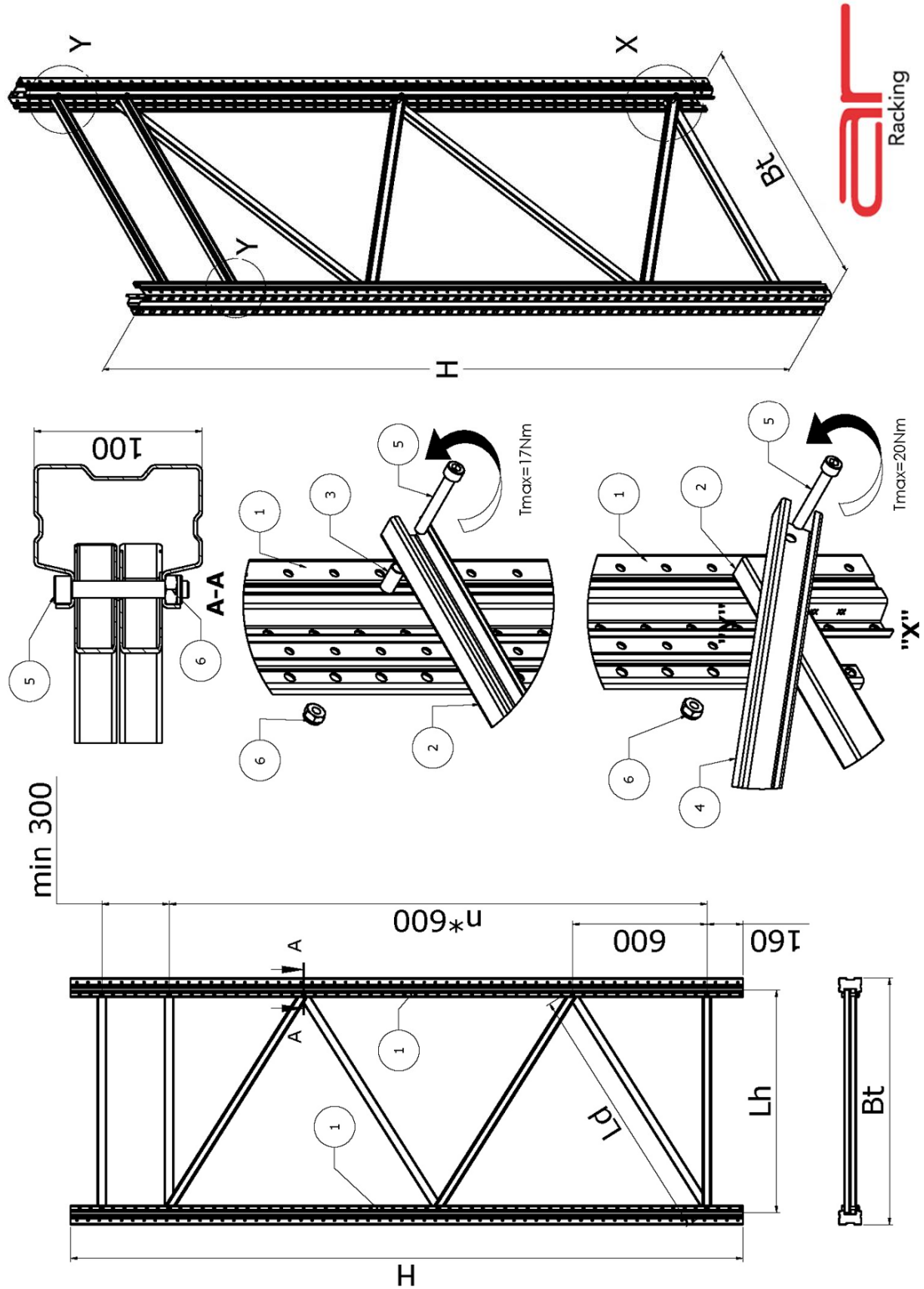
Length of horizontal profile: $L_h = L_{horizontal} = B_t - 130$	Length of diagonal profile: $L_d = L_{diagonal} = \sqrt{(L_h - 40)^2 + (600)^2} + 40$
---	--

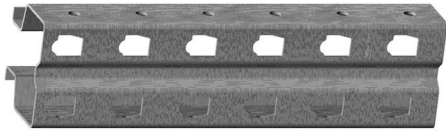




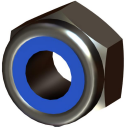
FRAME ASSEMBLY: D600 diagonal bracing of horizontal and diagonal profiles. Dimensions to centrelines of axes



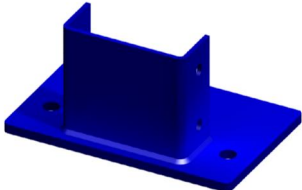
The first horizontal profile is placed 160 mm from the base plate and then diagonal profiles are placed in 600 mm pitch, with a final horizontal profile. If the distance of the last horizontal profile at the end of the upright is equal to or greater than 440, another horizontal profile will be placed at a minimum distance of 300 mm. The following figures show the different configurations depending on the frame height. Please note the torque of C3015 profiles in order to avoid deformations during assembly (see ASSEMBLY INSTRUCTIONS).

ASSEMBLY INSTRUCTIONS

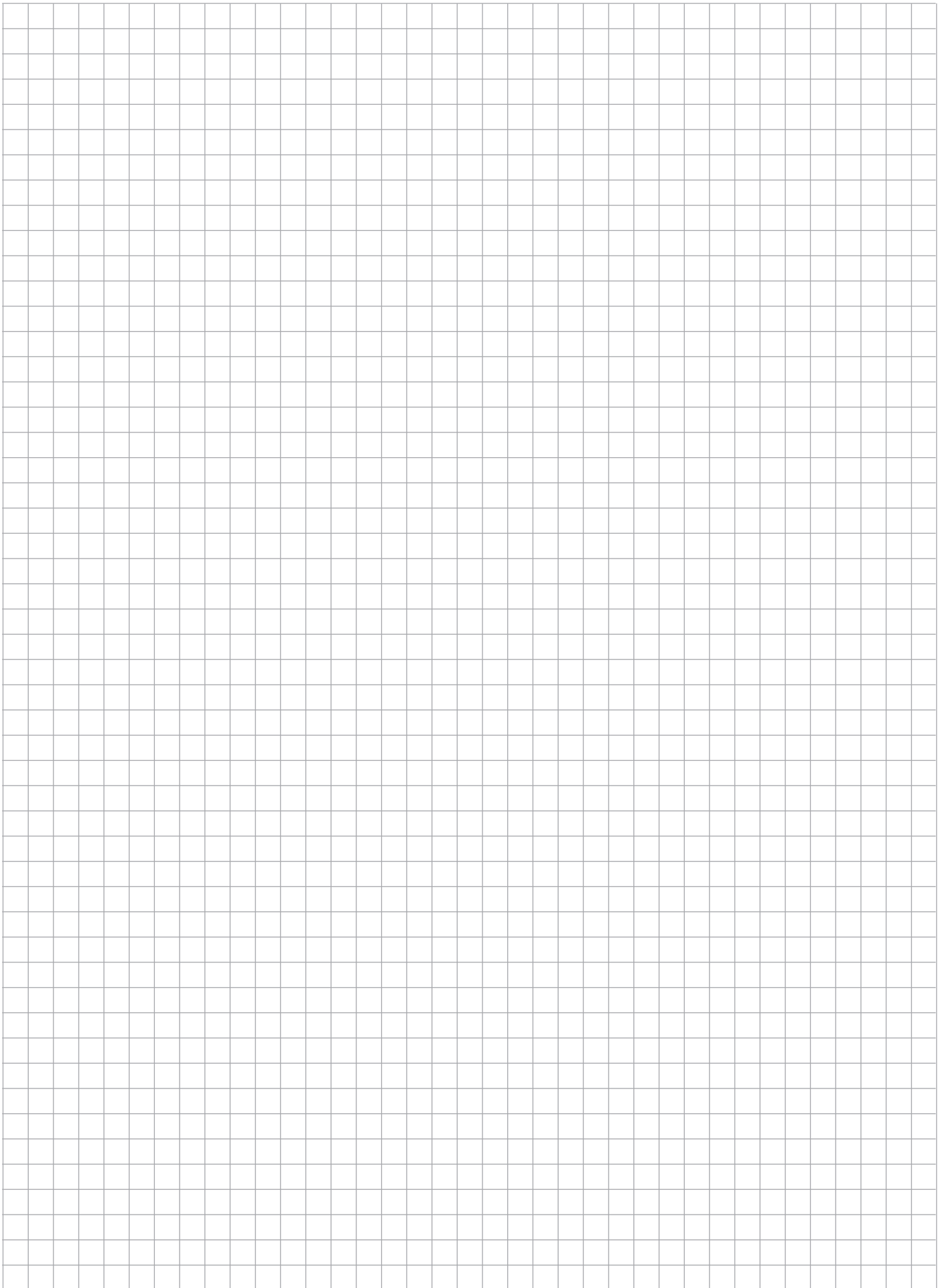


COMPONENTS AND QUANTITIES		
MARK	ELEMENT	
1	UPRIGHT XL	
2	PROFILE 4025 Length Lh	
3	SPACER CAD11/25/Z	
4	PROFILE 4025 Length Ld	
5	BOLT BO-M10X70/D912/8.8/Z000	
6	NUT NU-M10/D985/8/Z000	

There are 2 alternatives for setting up the frame depending on the base plate used:

BASE PLATE S	Joined to upright using:	
	QUANTITY	DESIGNATION
	4	BOLT BO-M8X20/D933/8.8/Z000
	4	NUT NU-M8/D985/8/Z000

NO BASE PLATE	





Ijsselstraat 9-13 \ 5347 KG Oss \ The Netherlands \ T +31 (0)412 667650 \ E info@begra.nl \ www.begra.nl
[Iban](#) NL80 RABO 0146 3423 21 \ [KvK](#) Oost Brabant 17207142 \ [BTW](#) 8180.3852.4B01