



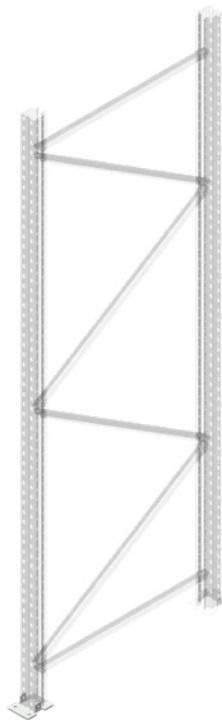
montage handleiding

Frames AR T2 palletstelling
type XS10/20/30 en M10

TOTAL FRAME



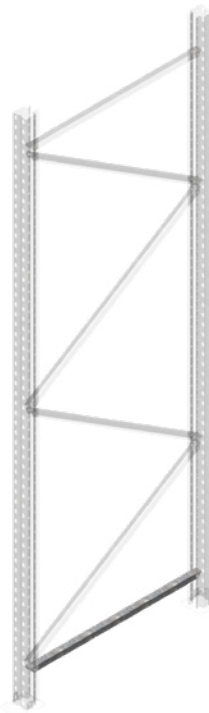
BASE PLATE



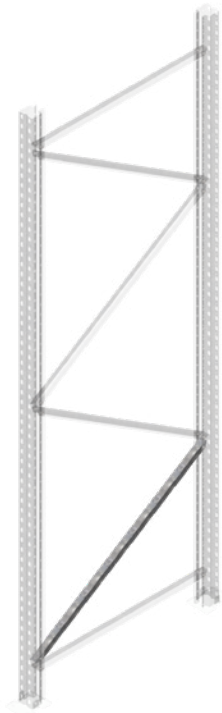
UPRIGHT



HORIZONTAL



DIAGONAL



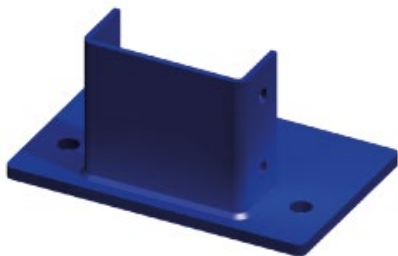
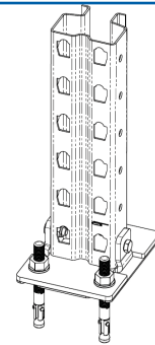
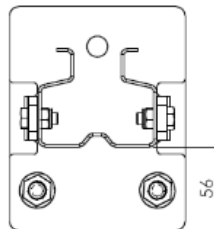
Depending on the base plate, fix to the upright with:

There are 2 alternatives for setting up the frame depending on the base plate used: (see material quantity table on page 6)



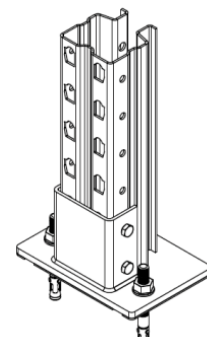
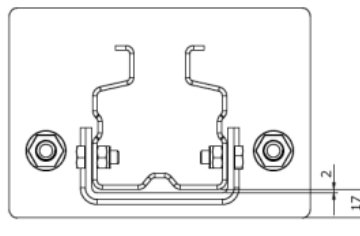
2 Bolts M8x20/DIN 933/8.8/zinc coated
2 Nuts M8/DIN 985/8/zinc coated

Facing to the aisle installation areas of $8m \leq H$ (Frame height) ≤ 10 meters:



4 Bolts M8x20/DIN 933/8.8/zinc coated
4 Nuts M8/DIN 985/8/zinc coated

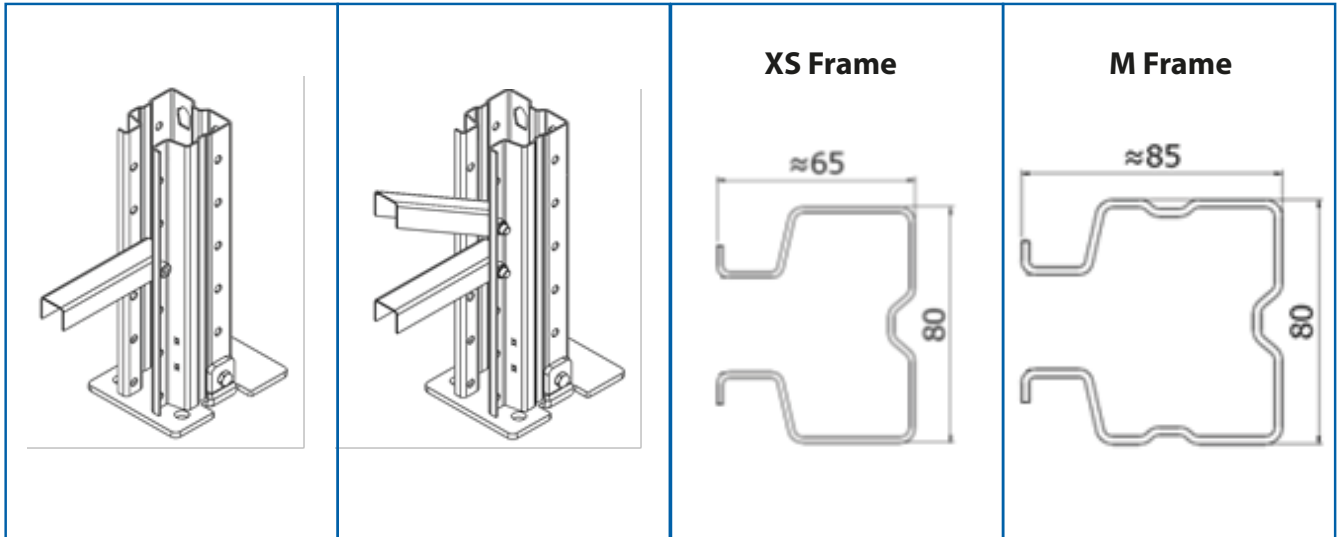
Installations of H (Frame height) > 10 meters:



NOTE: Base plate contains 3 holes, however only 2 bolts are needed to setup the frame correctly.

Upright used: XS10/20/30 and M10 (Product acc./EN15512-2020, henceforth V2020)

Bracing consists of U30x15 horizontal and diagonal profiles whose length, based on the depth of the XS frame, is shown in the following tables:

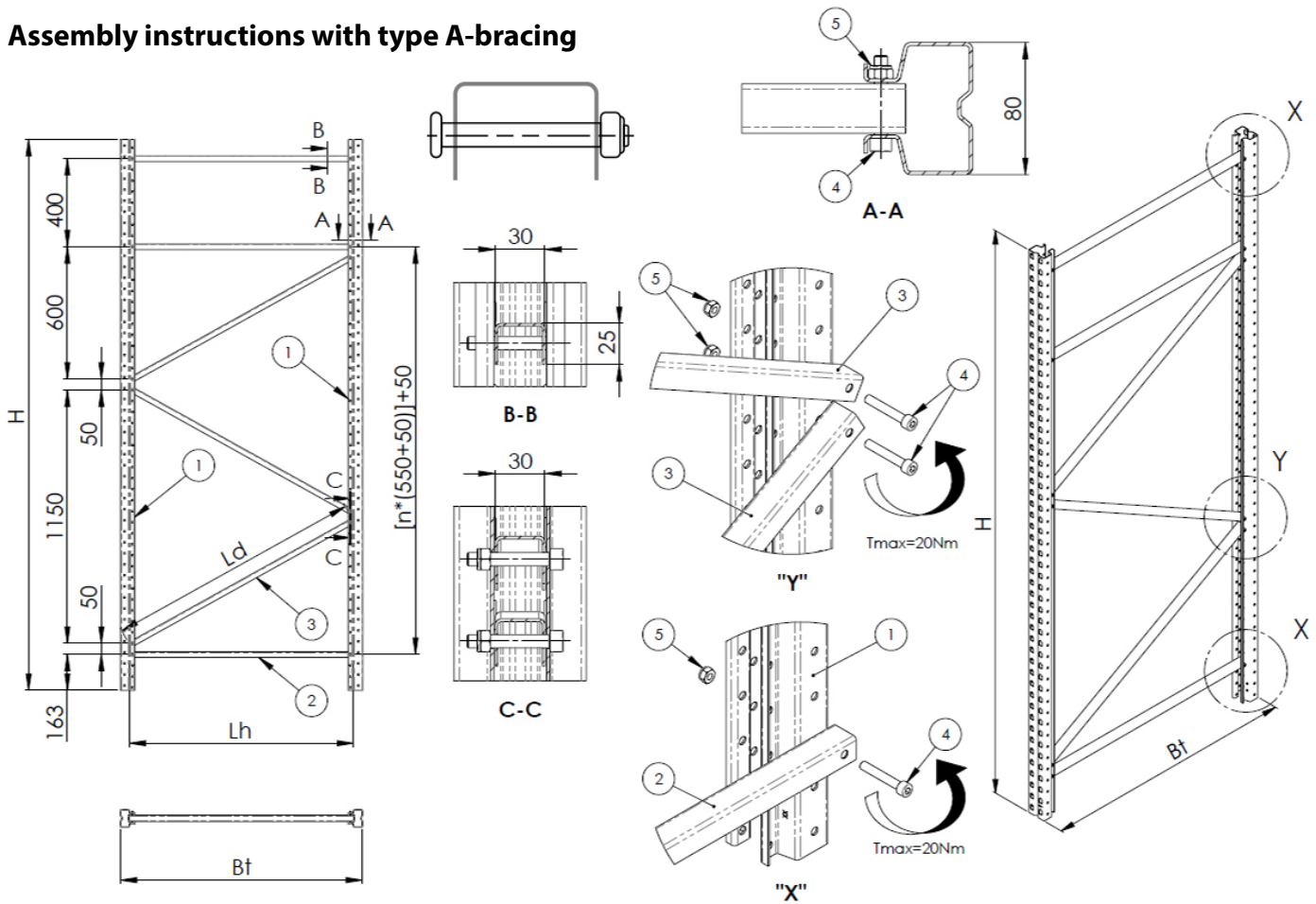


Frame depth Bt (mm)	Horizontal length Lh (mm) XS Frame	Diagonal length Lh (mm) XS Frame	Horizontal length Lh (mm) M Frame	Diagonal length Lh (mm) M Frame
700	619	836	582	809
800	719	912	682	883
900	819	992	782	962
1000	919	1075	882	1044
1100	1019	1162	982	1129
1200	1119	1250	1082	1217
1300	1219	1340	1182	1307

Frame dimensions based on the base plate used



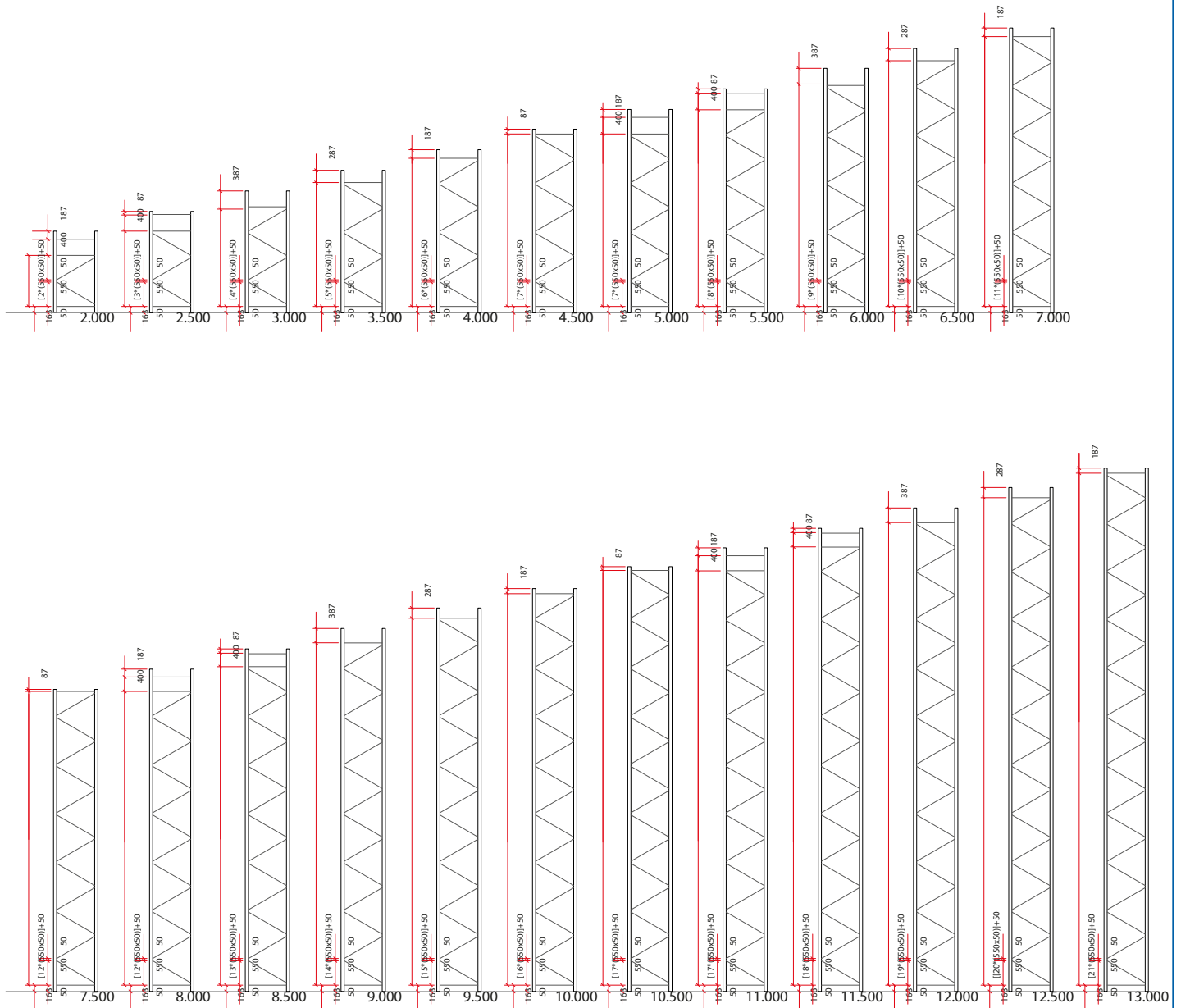
Assembly instructions with type A-bracing



Components

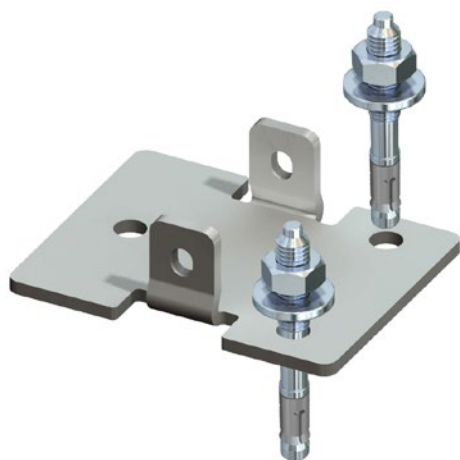
Nr.	Description	Image
1	Uprights XS10/20/30 or M10 (V2020)	
2	Horizontal (Length = Lh)	
3	Diagonal (Length = Ld)	
4	BOLT M8X50/D912/8.8/Z000	
5	NUT M8/D985/8/Z000	

Frames assembly: A11-1150 bracing of horizontals and diagonals (NEW TYPE)
Measurements taken from axis centres



The first horizontal member is placed 163 mm from the base plate, at 50 mm from this the diagonal member start to be placed every 550 mm with a separation between them of 50 mm. The last horizontal member is 50 mm above the last diagonal.

If the distance from the last horizontal member to the end of the upright is equal to or greater than 437 mm another horizontal member will be placed at a minimum distance of 400 mm. The previously figures show the different configurations depending on the frame height. The tightening torque of the horizontals and diagonal members must be considered to avoid deformations during the frame assembly.



P BASE PLATE							
FRAME HEIGHT (mm)	UPRIGHT	PROFILE U3025 Length Lh	PROFILE U3025 Length Ld	BOLT M8X50/D912/8.8/Z000	NUT M8/D985/8/Z000	BASE PLATE BP080/E000	BOLT M8X20/D933/8.8/Z000
2,000	2	3	2	10	14	2	4
2,500	2	3	3	12	16	2	4
3,000	2	2	4	12	16	2	4
3,500	2	2	5	14	18	2	4
4,000	2	2	6	16	20	2	4
4,500	2	2	7	18	22	2	4
5,000	2	3	7	20	24	2	4
5,500	2	3	8	22	26	2	4
6,000	2	2	9	22	26	2	4
6,500	2	2	10	24	28	2	4
7,000	2	2	11	26	30	2	4
7,500	2	2	12	28	32	2	4
8,000	2	3	12	30	34	2	4
8,500	2	3	13	32	36	2	4
9,000	2	2	14	32	36	2	4
9,500	2	2	15	34	38	2	4
10,000	2	2	16	36	40	2	4

S BASE PLATE							
FRAME HEIGHT (mm)	UPRIGHT	PROFILE U3025 Length Lh	PROFILE U3025 Length Ld	PROFILE U3025 Length Ld	NUT M8/D985/8/Z000	BASE PLATE GABS80/AZAR	BOLT M8X20/D933/8.8/Z000
2,000	2	3	2	10	18	2	8
2,500	2	3	3	12	20	2	8
3,000	2	2	4	12	20	2	8
3,500	2	2	5	14	22	2	8
4,000	2	2	6	16	24	2	8
4,500	2	2	7	18	26	2	8
5,000	2	3	7	20	28	2	8
5,500	2	3	8	22	30	2	8
6,000	2	2	9	22	30	2	8
6,500	2	2	10	24	32	2	8
7,000	2	2	11	26	34	2	8
7,500	2	2	12	28	36	2	8
8,000	2	3	12	30	38	2	8
8,500	2	3	13	32	40	2	8
9,000	2	2	14	32	40	2	8
9,500	2	2	15	34	42	2	8
10,000	2	2	16	36	44	2	8
10,500	2	2	17	38	46	2	8
11,000	2	3	17	40	48	2	8
11,500	2	3	18	42	50	2	8
12,000	2	2	19	42	50	2	8
12,500	2	2	20	44	52	2	8
13,000	2	2	21	46	54	2	8



IJsselstraat 9-13 \ 5347 KG Oss \ The Netherlands \ **T** +31 (0)412 667 650 \ **E** info@begra.nl \ www.begra.nl
Iban NL80 RABO 0146 3423 21 \ **KvK** Oost Brabant 17207142 \ **BTW** 8180.3852.4B01