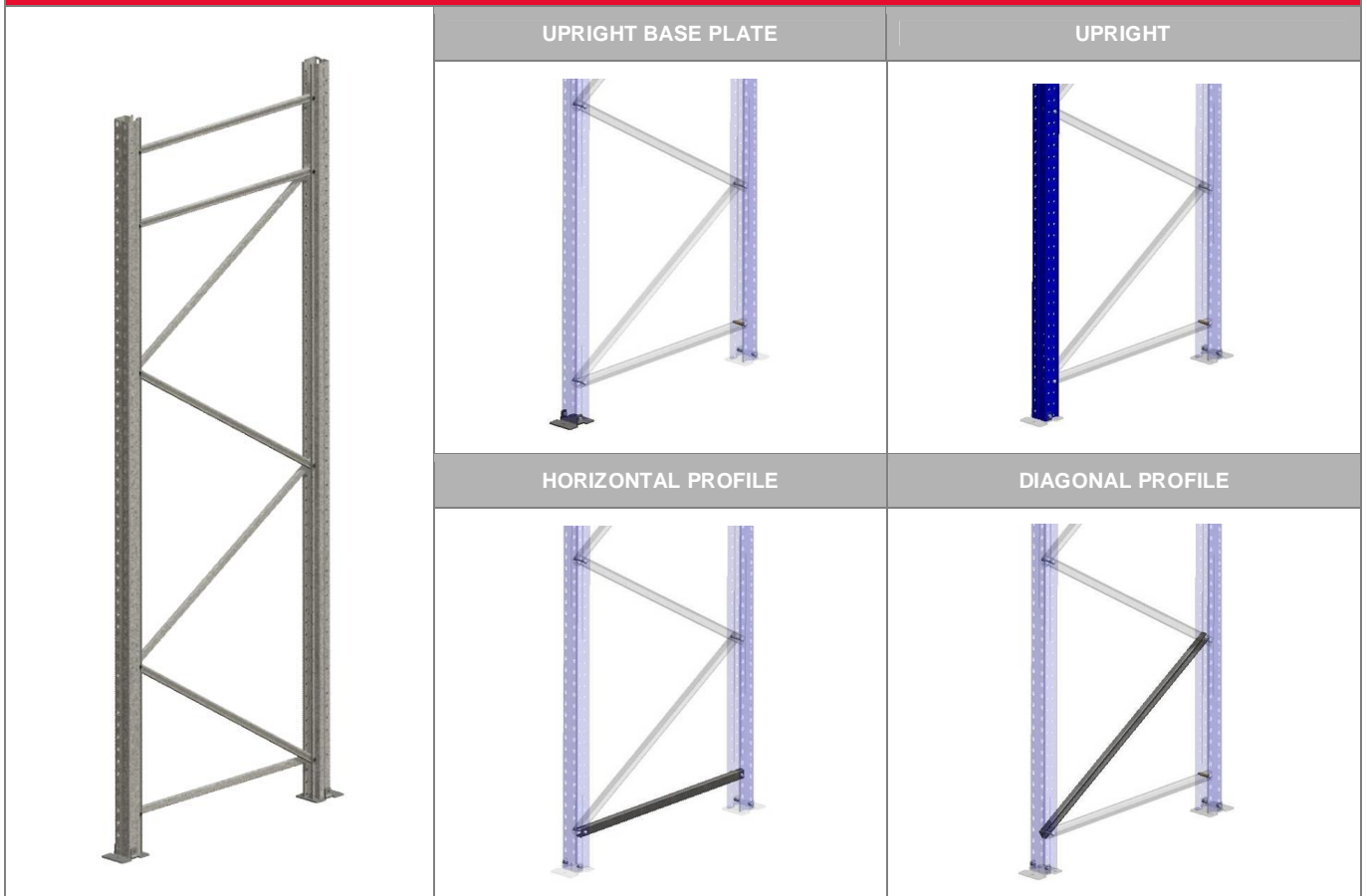




montage handleiding

Frames AR T2 palletstellingen - XS

FRAME XS



DESCRIPTION	A vertical structure consisting of 2 uprights, joined by a system of bracing profiles, and base plates intended to support the storage levels.		
DIMENSIONS AND COMPONENTS	An XS frame consists of two XS uprights and their corresponding bracing profiles, upright base plates and fixing elements (bolts, nuts and bushings).		
DESIGNATION	FRAME [UPRIGHT MODEL]/[DEPTH]/[HEIGHT]/[FINISH]		
MATERIAL	UPRIGHT MODEL	XS1, XS2, XS3	
	TYPE OF BASEPLATE 3 alternatives:	P	Base plate BP80/E000. See datasheet FT-001007 · ZINC finish in all cases
		S	Base plate GABS80/AZAR. See datasheet FT-006334 · AZAR finish for pregalvanised uprights · Same finish as for XS upright in other cases
		0	No upright base plate
	DEPTH	Bt : Distance between Upright Face Widths Diagonal bracing (D600) is made using C3015 profiles with M1020 perforation. See datasheet FT-003439	
	HEIGHT	L : Length of Upright XS	
FINISH	Based on finish of Upright XS		

GENERAL DIMENSIONS OF UPRIGHT XS			
FRAME DIMENSIONS BASED ON THE UPRIGHT BASE PLATE USED			
No base plate: 0	Base plate BP80/E000: P	Base plate GABS80/AZAR: S	
	$B_t + 2 \times 56 = B_t + 112$ 	$B_t + 2 \times 17 = B_t + 34$ 	

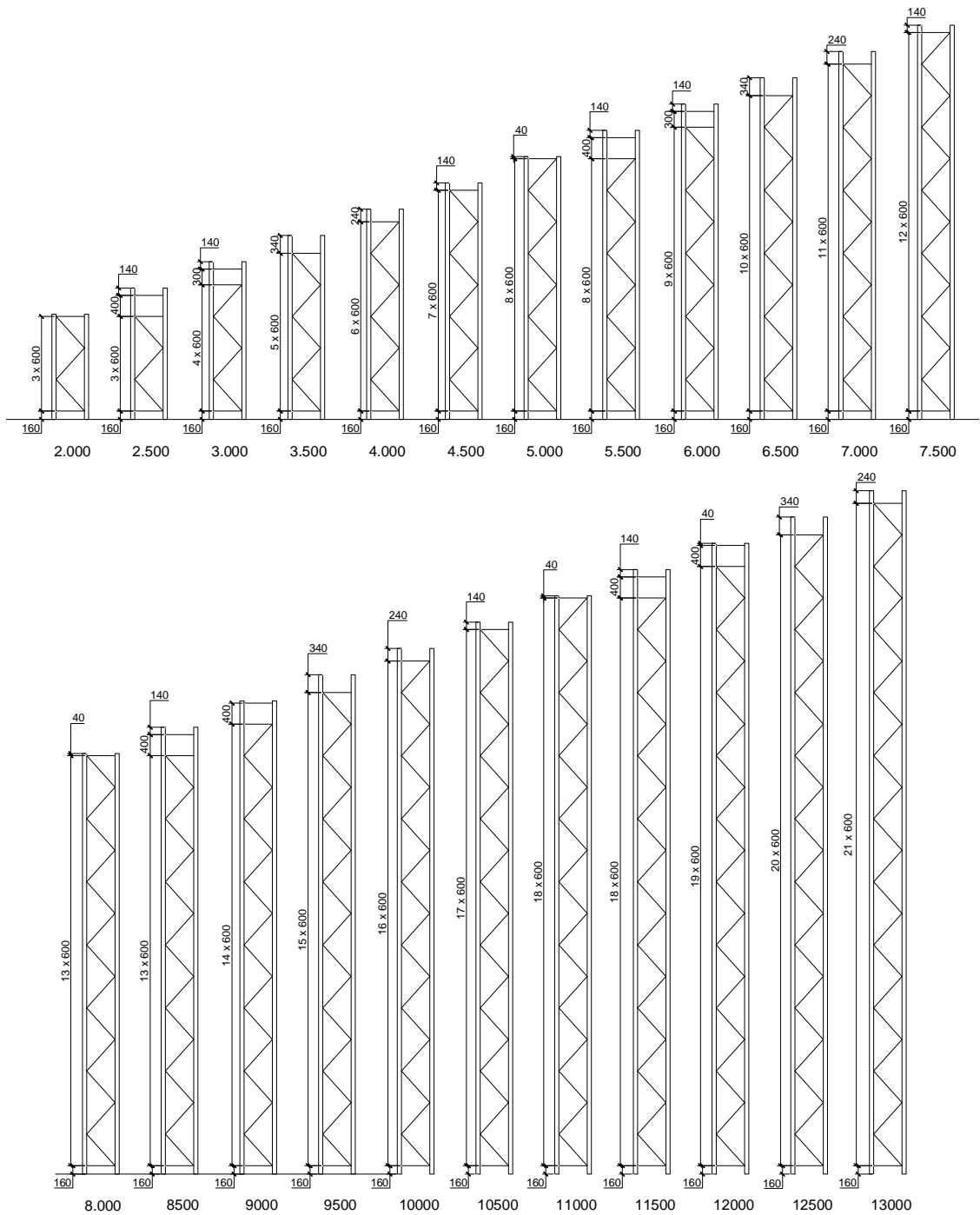
Bracing consists of C30x15 horizontal and diagonal profiles whose length, based on the depth of the XS frame, is shown in the following table:

FRAME DEPTH B_t (mm)	LENGTH OF HORIZONTAL L_h (mm)	LENGTH OF DIAGONAL L_d (mm)		
600	529	814		
700	629	881		
800	728	954		
900	829	1031		
1000	929	1113		
1100	1029	1197		
1200	1129	1283		
1300	1229	1372		

To calculate the length of horizontal and diagonal profiles of frames, the following equation can be used:

Length of horizontal profile: $L_h = L_{horizontal} = B_t - 71$	Length of diagonal profile: $L_d = L_{diagonal} = \sqrt{(L_h - 40)^2 + (600)^2} + 40$
--	--

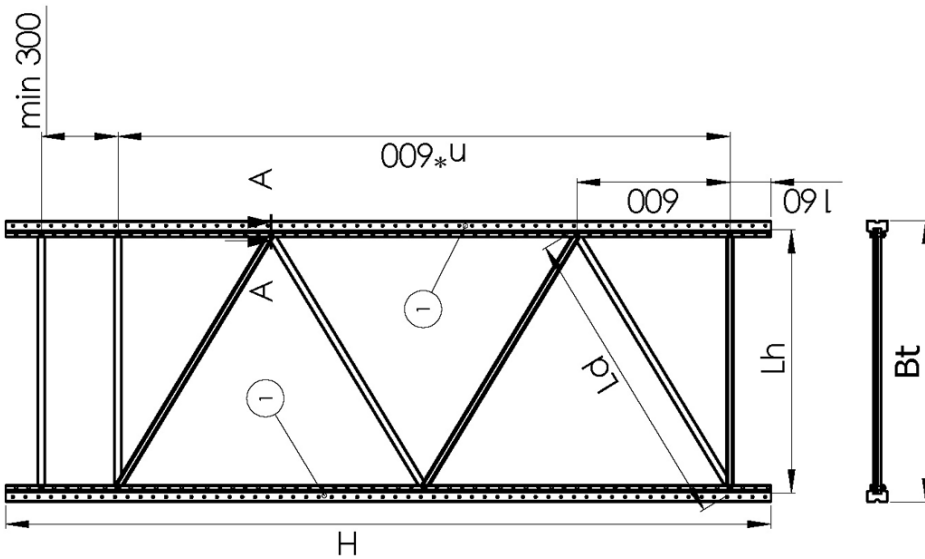
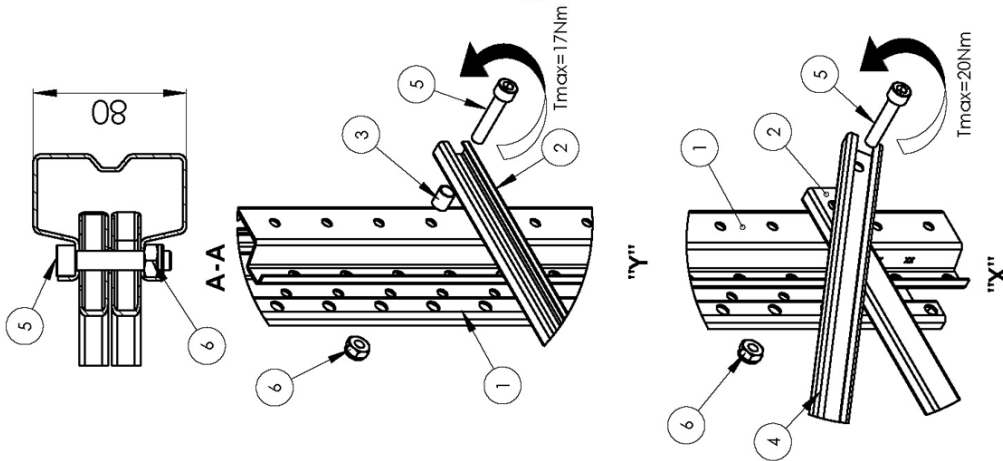
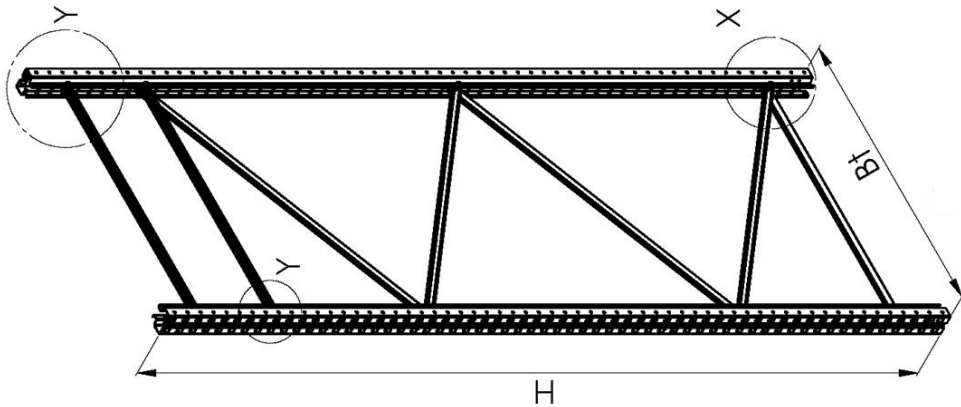
FRAME ASSEMBLY: D600 diagonal bracing of horizontal and diagonal profiles. Dimensions to centrelines of axes

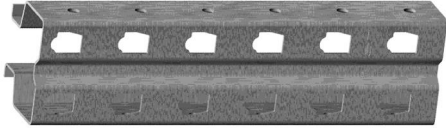




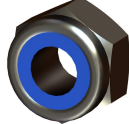


The first horizontal profile is placed 160 mm from the base plate and then diagonal profiles are placed in 600 mm pitch, with a final horizontal profile. If the distance of the last horizontal profile at the end of the upright is equal to or greater than 440, another horizontal profile shall be placed at a minimum distance of 300 mm. The following figures show the different configurations depending on the frame height. Please note the torque of C3015 profiles in order to avoid deformations during assembly (see ASSEMBLY INSTRUCTIONS).

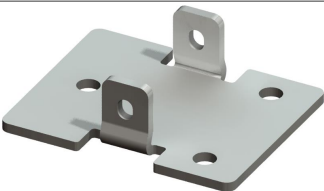
DATASHEET ITEM:	FRAME XS	CODE	REVISION	SHEET:
		FT-006369	00	4/8

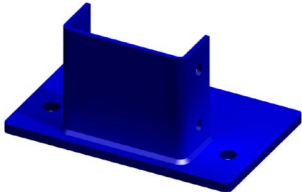
ASSEMBLY INSTRUCTIONS



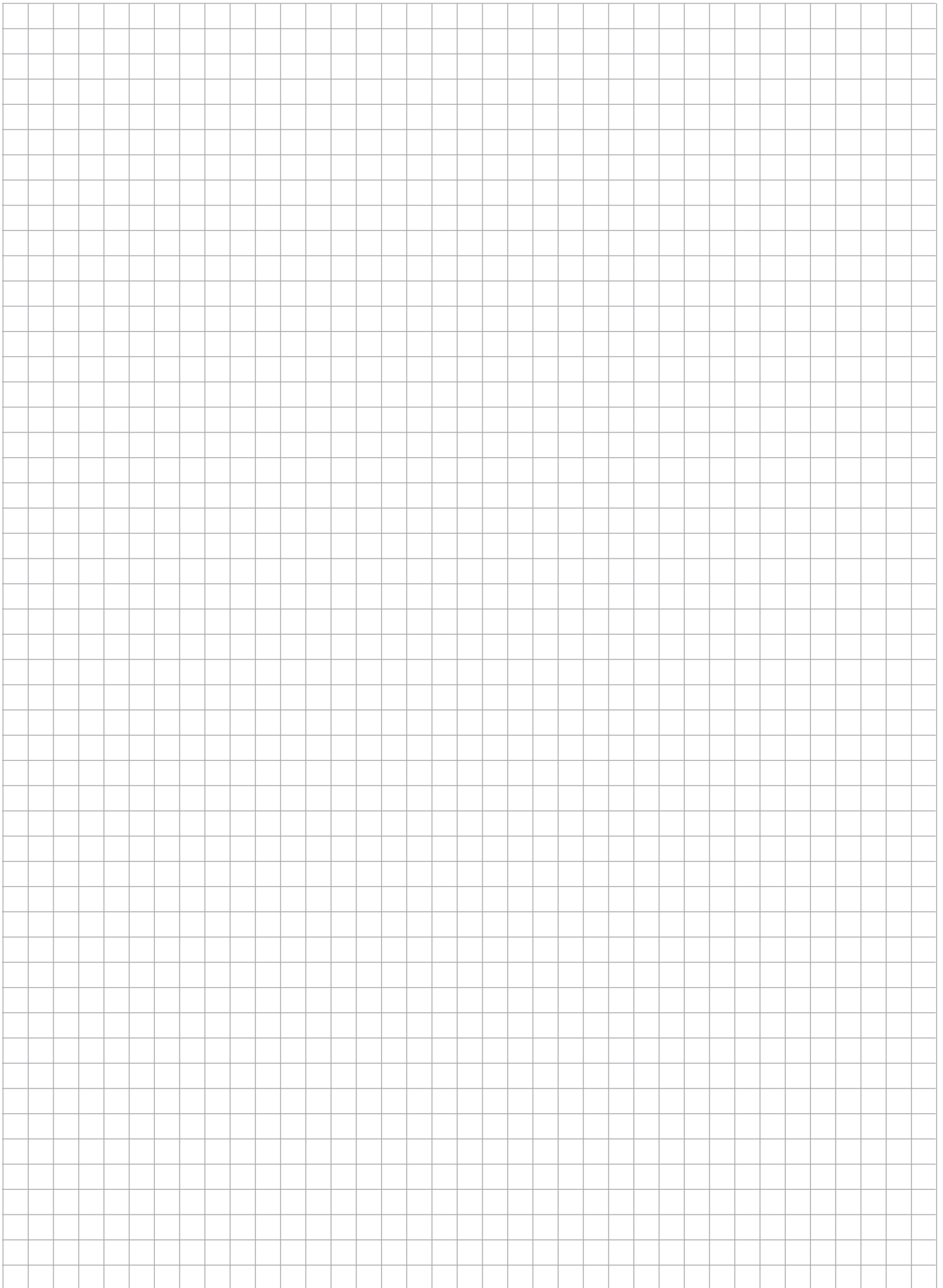
COMPONENTS AND QUANTITIES		
MARK	COMPONENT	
1	UPRIGHT XS	
2	PROFILE 3015 Length Lh	
3	SPACER CAD11/15/Z	
4	PROFILE 3015 Length Ld	
5	BOLT BO-M10X50/D912/8.8/Z000	
6	NUT NU-M10/D985/8/Z000	

There are 3 alternatives for setting up the frame depending on the base plate used:

BASE PLATE P	Joined to upright using:	
	QUANTITY	DESIGNATION
	2	BOLT BO-M8X20/D933/8.8/Z000
	2	NUT NU-M8/D985/8/Z000

BASE PLATE S	Joined to upright using:	
	QUANTITY	DESIGNATION
	4	BOLT BO-M8X20/D933/8.8/Z000
	4	NUT NU-M8/D985/8/Z000

NO BASE PLATE





Ijsselstraat 9-13 \ 5347 KG Oss \ The Netherlands \ T +31 (0)412 667650 \ E info@begra.nl \ www.begra.nl
[Iban](#) NL80 RABO 0146 3423 21 \ [KvK](#) Oost Brabant 17207142 \ [BTW](#) 8180.3852.4B01